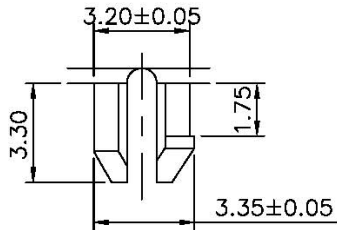
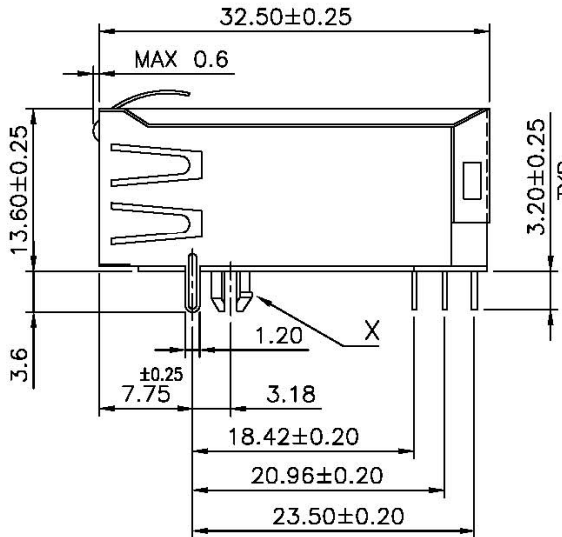
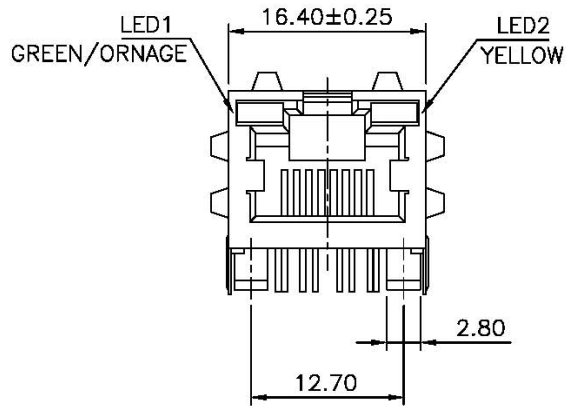
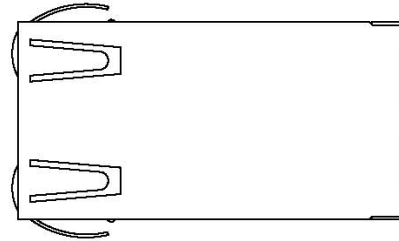


RoHS Compliance

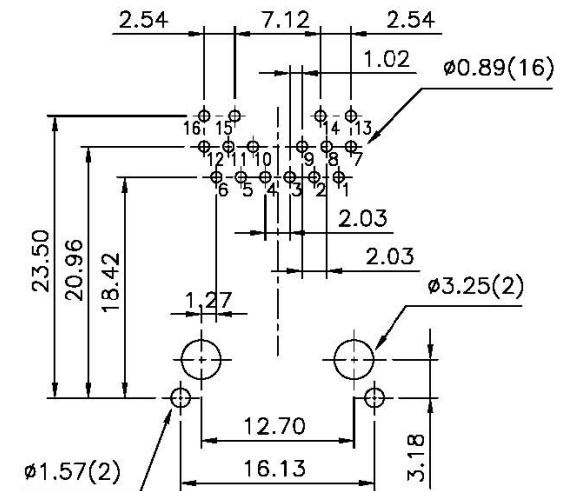


DETAIL X

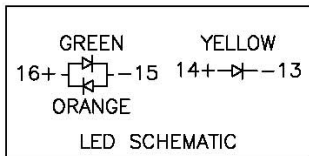


MATERIAL:

- HOUSING—PBT POLYESTER UL94V-0 MIXED GLASS FIBER. STANDARD COLOR—BLACK.
 - CONTACTS—0.35mm THICK PHOS-BRONZE PLATED WITH HARD GOLD AND GOLD FLASH IN SOLDER AREA.
 - SHIELD—0.25mm THICK COPPER ALLOY, PLATED WITH NICKEL.
- CAVITY CONFIRMS TO FCC RULES AND REGULATIONS PART 68, SUBPART F.



PCB LAYOUT
Ref.



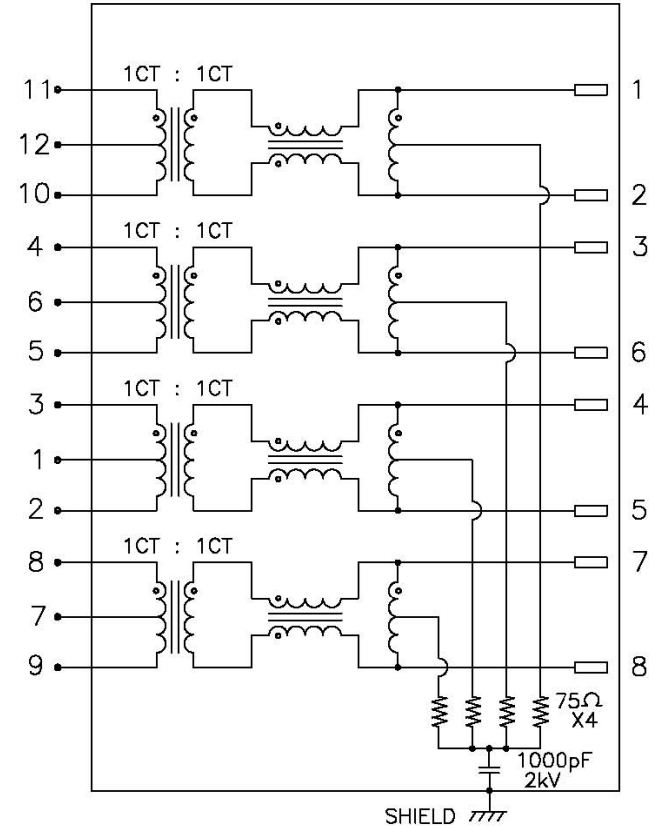
UNIT	mm	Projection		Seconn International Enterprise Co., Ltd.			
TOLERANCES				TITLE			
0.0 ± 0.38				Single port, shielded, gigabit, with LED's version			
0.00 ± 0.25				PART NO. JAKG-S8814-L01S			
0.000 ±							
DRAWN	Kevin	DATE	2003/8/2				
SCALE	1:1	SIZE	A4	SHEET	1/1	REV	A0

TRANSFORMER TYPE 1

Specification :

Item	Parameter	Condition	Min.	Typ.	Max.	Unit	REMARK
1	Insertion loss	0.1-100 MHz			-1	dB	
2	Return loss	0.5-40 MHz	-18			dB	NOTE 1
		40-100 MHz				dB	
3	OCL	100 KHz				μ H	
4	Crosstalk	100 KHz-100 MHz				dB	NOTE 2
5	Hipot	Vrms	1.5			kV	
6	Turns Ratio (Chip : Cable)	TX: 1 : 1 RX: 1 : 1				CT	
7	Direct Current resistance					Ω	

* NOTE 1: Greater than $(12-20 \text{ Log } (f/80\text{MHz}))$ dB
 2: Greater than $(33-20 \text{ Log } (f/50\text{MHz}))$ dB



CONNECTOR SCHEMATIC

UNIT	mm	Projection		Secon International Enterprise Co., Ltd.			
TOLERANCES				TITLE			
0.0	± 0.38	RADII	± 0.40	Single port, shielded, gigabit, with LED's version			
0.00	± 0.25	Angle	0.30°				
0.000	±			PART NO.	JAKG-S8814-L01S		
DRAWN	Kevin	DATE	2003/8/2	SHEET	1/1	REV	A0
SCALE	1:1	SIZE	A4	SHEET	1/1	REV	A0