

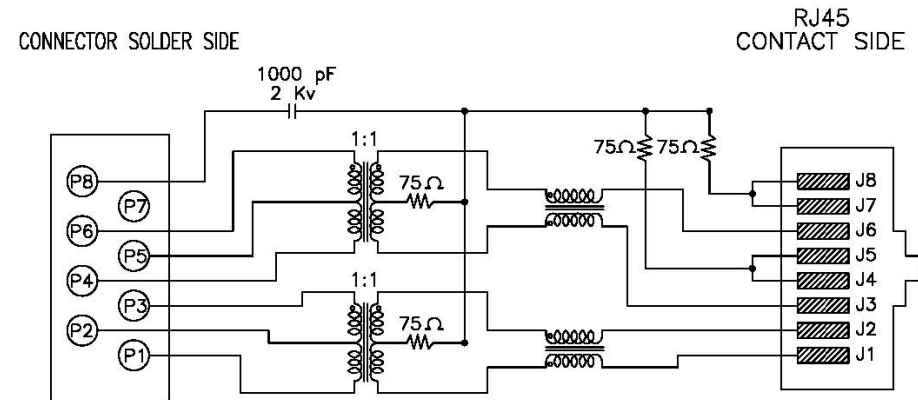


## TRANSFORMER TYPE 1

### ELECTRICAL CHARACTERISTICS

TEST NOTES: (25°±5°C)

1. TR: (100KHz, 0.1V)  
 PINS:(P6-P5-P4):(J6,J3)=1CT:1CT±3%  
 PINS:(P3-P2-P1):(J2,J1)=1CT:1CT±3%
2. INDUCTANCE: (@0.1V, 100KHz, 8mA, DC Bias)  
 PINS: (P6-P4),(P3-P1)=350uH MINIMUM
3. DCR:  
 PINS: (J6-J3)=(J2-J1)=1.2 OHMS MAXIMUM
4. HIPOT:  
 PINS(J1,J2)TO(P1,P3)=1500VAC FOR 2 SECONDS  
 PINS(J3,J6)TO(P4,P6)=1500VAC FOR 2 SECONDS
5. LEAKAGE INDUCTANCE:  
 P6-P4 (WITH J6 AND J3 SHORT)=0.3 MAXIMUM, @1MHZ  
 P3-P1 (WITH J2 AND J1 SHORT)=0.3 MAXIMUM, @1MHZ
6. INSERTION LOSS:  
 -1.1dB MAXIMUM AT 1MHZ TO 100MHZ
7. RETURN LOSS:  
 -18dB MINIMUM AT 1MHZ TO 30MHZ  
 -12dB MINIMUM AT 60MHZ TO 80MHZ
8. CROSS TALK:  
 -30dB MINIMUM AT 1MHZ TO 100MHZ
9. COMMON TO COMMON MODE ATTENUATION:  
 -35dB MINIMUM AT 30MHZ TO 100MHZ
10. RISE TIME: RS=100 OHMS AND RL=100 OHMS  
 OUTPUT VOLTAGE=1 V PEAK=3.0 nS MAXIMUM  
 PULSE WIDTH=112 nS=3.0 nS MAXIMUM
11. INTERWINDING CAPACITANCE:  
 (P6,P5,P4)TO(J6,J3)=30pF MAXIMUM, @1MHZ  
 (P3,P2,P1)TO(J2,J1)=30pF MAXIMUM, @1MHZ



CONNECTOR SCHEMATIC

|              |       |                    |            |  |     |     |    |
|--------------|-------|--------------------|------------|--|-----|-----|----|
| UNIT         | mm    | Projection         |            | Secon International Enterprise Co., Ltd.   |     |     |    |
| TOLERANCES   |       |                    |            | TITLE  |     |     |    |
| 0.0 ± 0.38   |       | RADII +0.40 - 0.15 |            | RJ45, with LED's, shielded, with Transformer, flat pin, Top entry PCB Jack connector |     |     |    |
| 0.00 ± 0.25  |       | Angle 0.30°        |            | PART NO. JAKM-S8813-LT01TS   |     |     |    |
| 0.000 ± 0.05 |       |                    |            |  |     |     |    |
| DRAWN        | Kevin | DATE               | 2009/11/19 | SHEET  | 1/1 | REV | A0 |