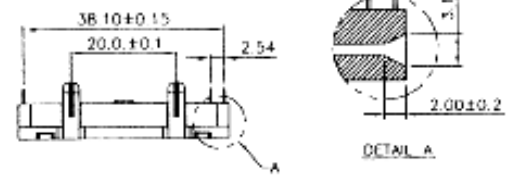


1 2 3 4 5 6 7 8

F
E
D
C
B
A

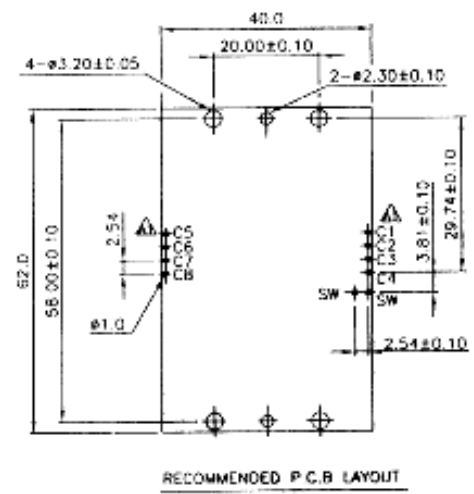
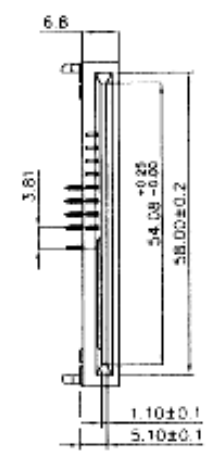
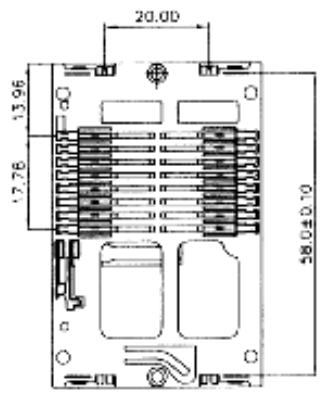
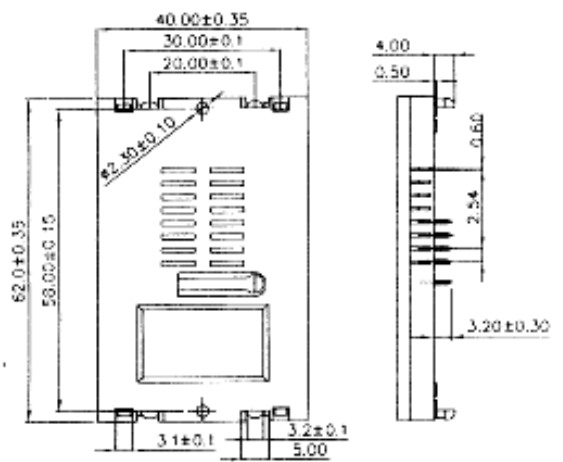
F
E
D
C
B
A



Material and Finish:

- 1. Insulator Material: P.B.T+30% Glass Fiber UL94V-0 ,Color:Black
- 2. Cover Material: P.B.T+30% Glass Fiber UL94V-0 ,Color:Black
- 3. Contact Material: Phosphor Bronze
- 4. Contact Plated: Underplate: 40u" Nickel All Over
Contact Area Plated: 1u" ~ 2u" Gold Plated
Solder Area Plated: 100u" Tin Plated
- 5. Switch Terminal Material: Phosphor Bronze
- 6. Switch Terminal Plated: Underplate: 40u" Nickel All Over
Contact Area Plated: 1u" ~ 2u" Gold Plated
Solder Area Plated: 100u" Tin Plated

- 7. Current Rating: 1A AC/DC MAX.
- 8. Insulation Resistance: 1000M ohms Min.
- 9. Contact Resistance: 100M ohms Max.
- 10. Dielectric Withstanding Voltage: 500 V AC
- 11. Operating Temperature: -40°C to +60°C
- 12. Card Insertion Force: 1kg MAX.
- 13. Card Separation Force: 102g MIN.
- 14. Contact Retention Force: 100g MIN PER PIN
- 15. Card Deletion Switch: (Normal Open)
- 16. RO = RøHS



UNIT	mm	Projection		Secon International Enterprise Co., Ltd.			
TOLERANCES				TITLE			
ANG = ± 1		.xx = ± 0.05		SC-S7xxGS			
x. = ± 0.3				PART NO.	Smart Card Connector Landing Type		
.x = ± 0.1							
DRAWN	Kevin	DATE	2008/8/15	SHEET	1/1	REV	A1
SCALE	1:1	SIZE	A4				

1 2 3 4 5 6 7 8