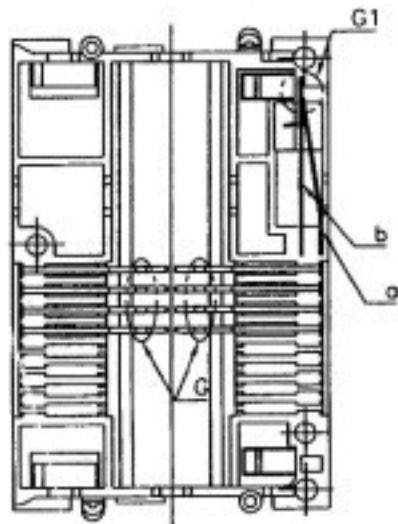
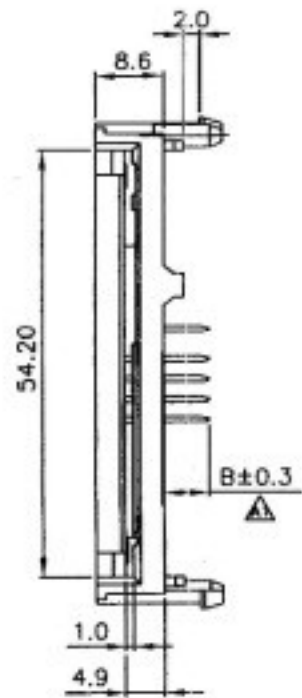
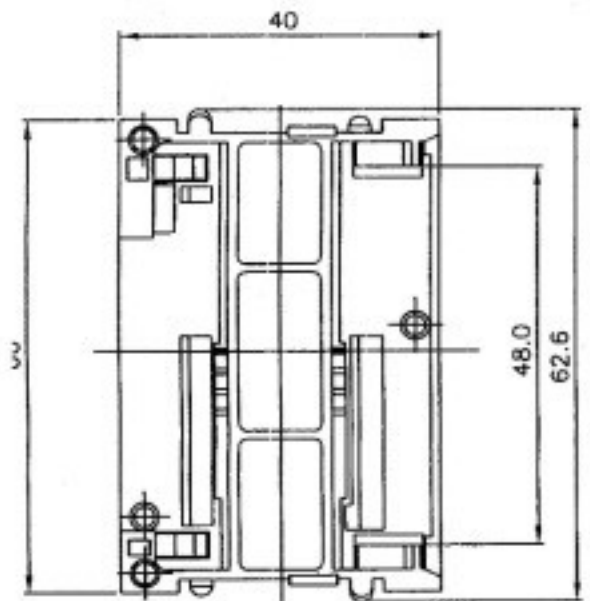
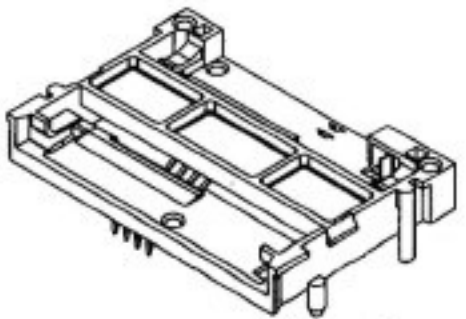
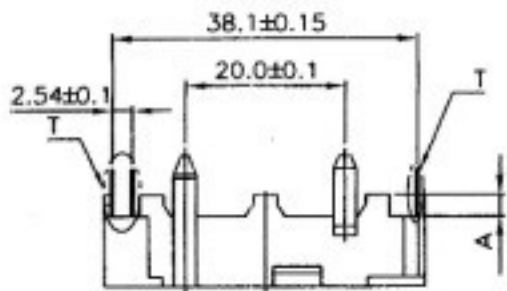


1 2 3 4 5 6 7 8

F
E
D
C
B
A



- Material and Finish:**
1. Insulator Material: P.B.T.+30% Glass Filled, UL94V-0, Color: Black
 2. Contact Material: Phosphor Bronze, C5191R-H, t=0.3mm
 3. Switch Terminal "a" Material: Phosphor Bronze, C5191R-H, t=0.3mm
 4. Switch Terminal "b" Material: Phosphor Bronze, C2680R-H, t=0.3mm
 5. Underlotted: 50u" Nickel Plated
 6. Contact Plated: See Remark "G", "T"
 7. Switch Terminal "a" Plated: See Remark "G", "T"
 8. Switch Terminal "b" Plated: See Remark "G", "T"
 9. Current Rating: 1A AC/DC Max.
 10. Contact Resistance: 100m ohms Max.
 11. Insulation Resistance: 1000M ohms Min.
 12. Dielectric Withstanding Voltage: 500V AC/DC
 13. Card Insertion Force: 10N Max.
 14. Card Separation Force: 1.0N Min.
 - ⚠ 15. Insertion Cycles: 100,000 Cycles Min. for GS6 Contact Plated
30,000 Cycles Min. for GS Contact Plated
 - ⚠ 16. Operating Temperature: -40°C to +85°C
 17. Card Detection Switch (NORMAL CLOSED)
 18. Packing: Tray

F
E
D
C
B
A

SC - S D XX GS6 - B C A

Smart Card Connector Friction Type
 Seconn
 D: Dip
 M: SMT
 Pin Number
 GS3: Gold 10u"
 GS4: 15u"
 GS6: 30u"
 Tray
 C: Clock Type
 O: Normal Open
 Color Black

UNIT	mm			Seconn International Enterprise Co., Ltd.			
TOLERANCES				TITLE			
x = ±0.35 .x = ±0.25 .xx = ±0.12				Smart Card Connector Friction Type			
DRAWN		DATE		PART NO.	SC-SDXXGS6-BCA		
SCALE		SIZE	A4	SHEET	1/1	REV	

1 2 3 4 5 6 7 8