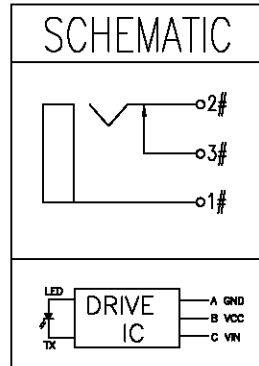
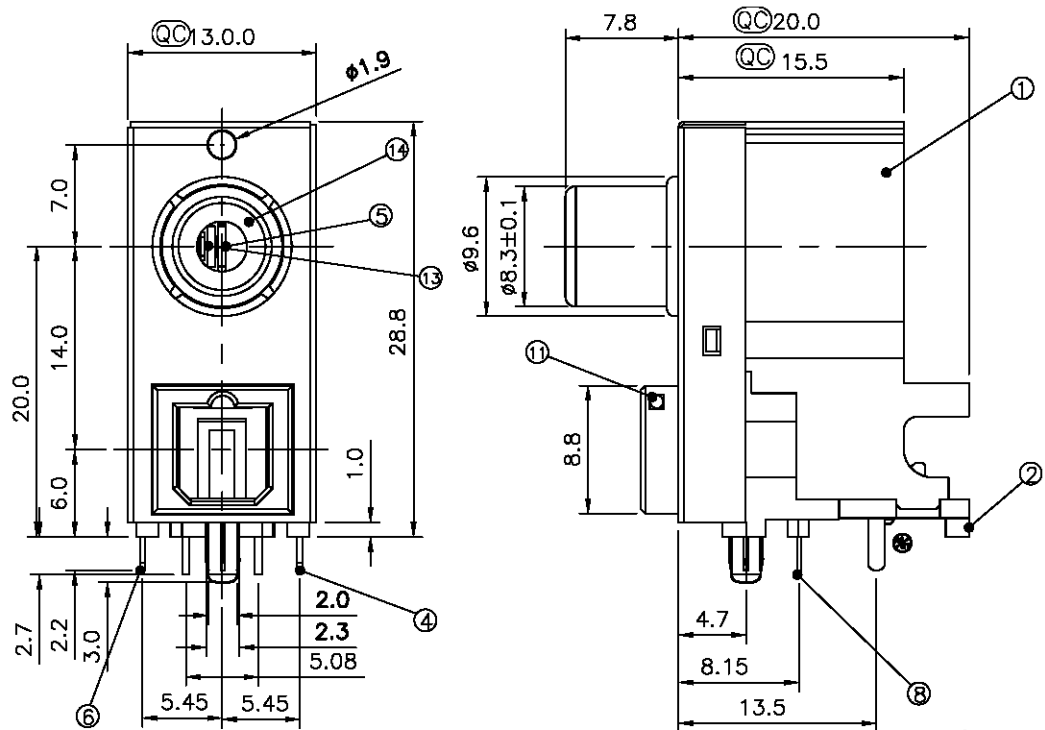


工程變更通知單號 ECN NO.	更改 REV	變更內容 MODIFICATION	日期 DATE	製圖 DRAW	核准 APPROVE
EC090907-001	A3	● 新增加	2009.09.07	SIMON	STEVEN
EC091008-001	A4	● 去除定位柱	2009.10.08	JEROME	JOHN
EC091225-001	A5	● ADD NEW TYPE	2009.12.25	JEROME	JOHN

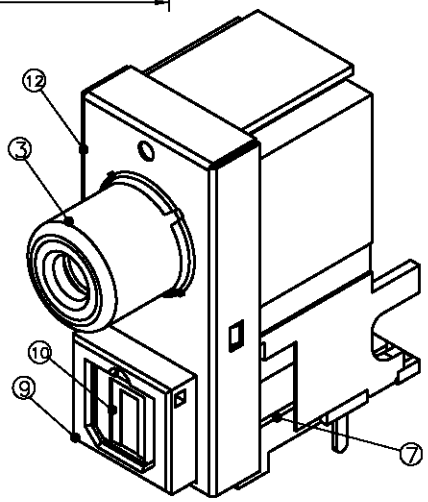
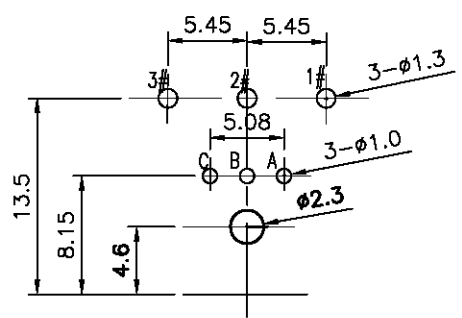


P/N:
JAKP-SO03-xxH

XX	OPTO GATE COLOR	WASHER COLOR	PLATED
01	LIME(577C)	ORANGE(157C)	NI
02	LIME(577C)	BLACK	MATTED TIN
03	LIME(577C)	YELLOW	MATTED TIN
04	BLACK	YELLOW	MATTED TIN
05	BLACK	ORANGE(157C)	MATTED TIN
06	LIME(577C)	RED	MATTED TIN

LEAD FREE

NO	DESCRIPTION	QUANTITY	MATERIAL	REMARK
14	WASHERS	1	PBT	UL-94V0 (ORANGE 157C)
13	INSULATOR	1	PBT	UL-94V0
12	SEALED PLATE	1	BRASS	Cu NI PLATED
11	OPTO SPRING	1	SUS	
10	OPTO GATE	1	PA66	UL-94V0 (LIME 577C)
9	OPTO FRAME	1	PA66	UL-94V0(BLACK)
8	OPTO-TERMINAL	3	PHOSPHOR BRONZE	TIN/NI PLATED
7	OPTO-HOSING	1	LCP	UL-94V0(BLACK)
6	3# SPRING	1	PHOSPHOR BRONZE	Cu MATTED TIN PLATED
5	2# TERMINAL	1	BRASS	Cu MATTED TIN PLATED
4	1# TERMINAL	1	BRASS	Cu MATTED TIN PLATED
3	OUTER CONTACT	1	BRASS	Cu NI PLATED
2	COVER	1	PA9T	UL-94V0(BLACK)
1	HOUSING	1	PBT	UL-94V0(BLACK)



T:1.6 Dimensions of PC board holes
Tolerance : ±0.05(Printed-top view)

UNIT	mm	Projection	Secom International Enterprise Co., Ltd.
TOLERANCES			TITLE
x = ±	xxx = ±		Pin Jack Connector + OPTO
x.x = ±0.3			
x.xx = ±0.25			
DRAWN	Kevin	DATE	08-26-09
SCALE	2:1	SIZE	A4
PART NO.		JAKP-SO03-xxH	
SHEET	1/1	REV	A0