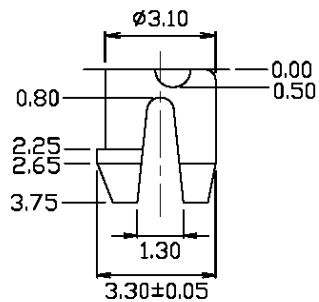
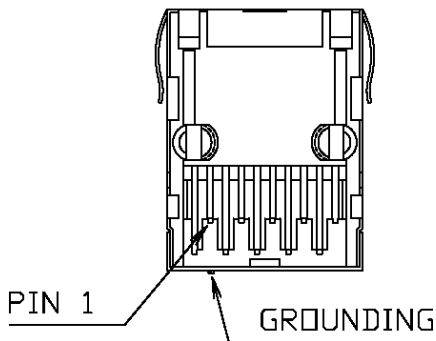
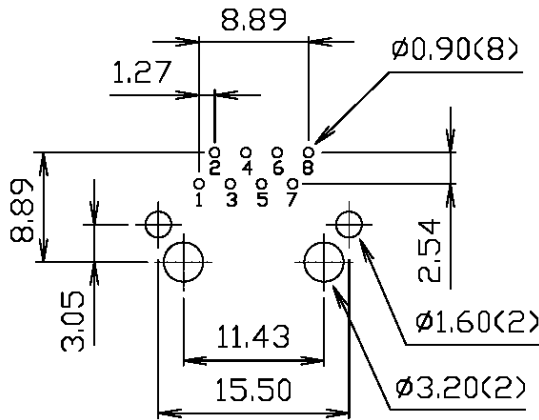
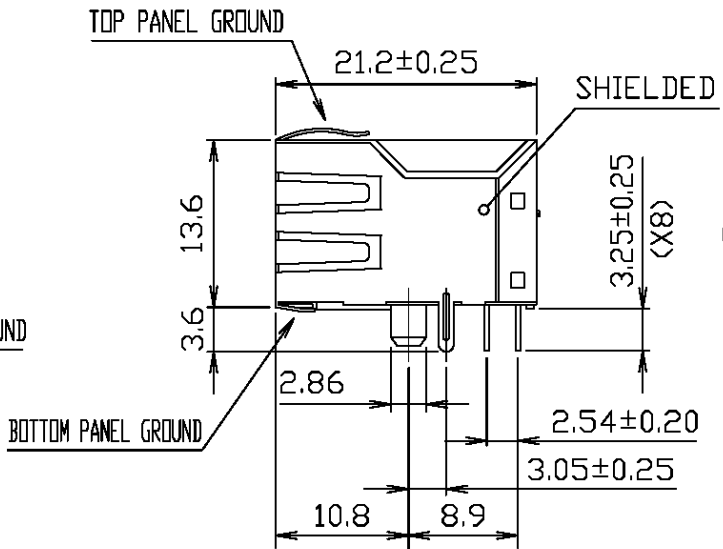
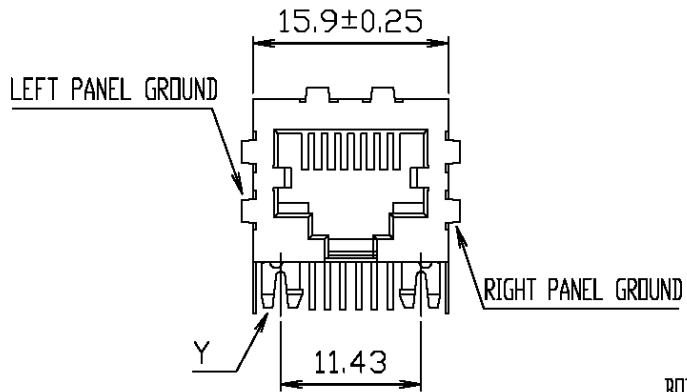


MATERIAL:

- HOUSING-PBT POLYESTER UL94V-0
MIXED GLASS FIBER,
STANDARD COLOR-BLACK
- CONTACTS-0.35mm THICK PHOS-BRONZE
WITH HARD GOLD AND GOLD FLASH
PLATED IN SOLDER AREA.
- SHIELD-0.25mm THICK COPPER ALLOY,
PLATED WITH NICKEL.

CAVITY CONFIRMS TO FCC RULES AND REGULATIONS
PART 68,SUBPART F.



DETAIL Y

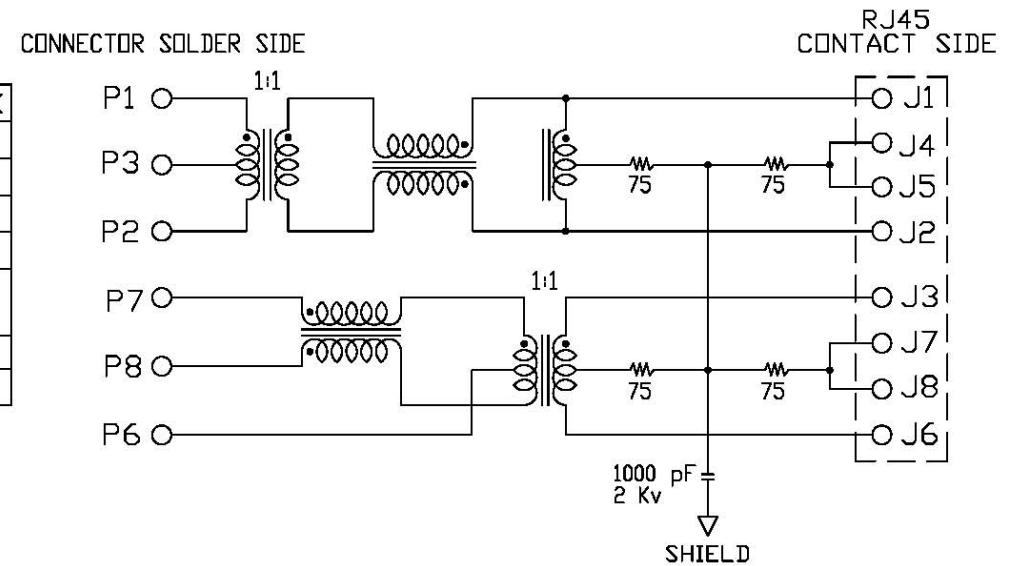
PC Board Layout
Ref.

UNIT	mm	Projection		Secom International Enterprise Co., Ltd.			
TOLERANCES				TITLE			
0.0	± 0.25	RADIUS ± 0.40		Single port, RJ45, Shielded, Flat pin with Transformer, side entry PCB Jack connector			
0.00	± 0.13	Angle 0.30°					
0.000	± 0.05						
				PART NO. JAKM-S8824-STN01S			
DRAWN	Kevin	DATE	2007/10/31				
SCALE	1:1	SIZE	A4	SHEET	1/1	REV	A0

TRANSFORMER TYPE N

Specification :

Item	Parameter	Condition	Min.	Typ.	Max.	Unit	REMARK
1	Insertion loss	1-100 MHz			-1	dB	
2	Return loss	1-30 MHz	-20			dB	
		30-60 MHz	-15			dB	
		60-80 MHz	-11			dB	
3	Primary Inductance @100KHz, 0.1Vrms, 8mA DC BIAS	(1-2), (7-8)	350			μH	
4	Crosstalk	1-100 MHz	-30			dB	
5	Hipot	Vrms	1.5			kV	



CONNECTOR SCHEMATIC

UNIT	mm	Projection		Secon International Enterprise Co., Ltd.			
TOLERANCES				TITLE			
0.0	± 0.25	RADII	±0.40	Single port, RJ45, Shielded, Flat pin with Transformer, side entry PCB Jack connector			
0.00	± 0.13	Angle	0.30°				
0.000	± 0.05						
				PART NO.	JAKM-S8824-STN01S		
DRAWN	Kevin	DATE	2007/10/31	SHEET	1/1	REV	A0
SCALE	1:1	SIZE	A4				