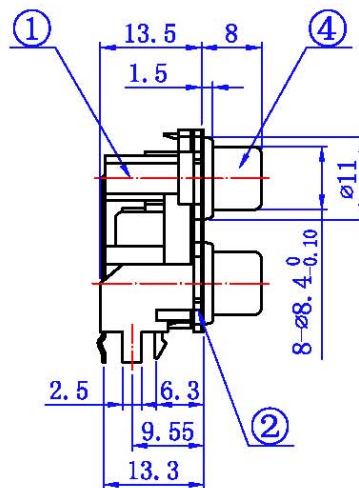
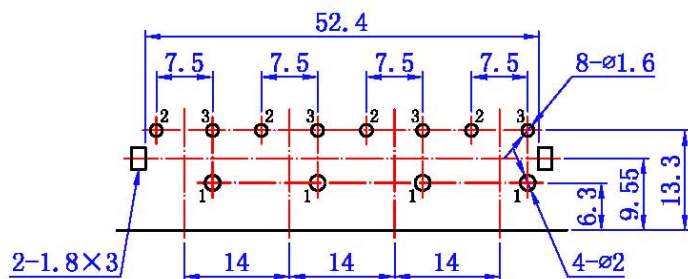
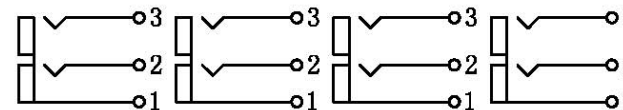


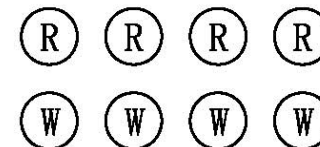
PCB LAYOUT  
TOP VIEW ⊗



SCHMATIC



COLOR LAYOUT



NO.	PART NAME	MATERIAL	Q' TY	PLATING
7	SHIELD	BRASS t=0.25	2	CuSn
6	TER'-3	BRASS t=0.4	4	CuSn
5	TER'-2	BRASS t=0.4	4	CuSn
4	CAP	BRASS t=0.4	4	CuSn
3	WASHER	ABS	8	---
2	COVER	ABS (BLACK)	4	---
1	BASE	ABS (RED)	1	---

UNIT	mm	Projection	Seconn International Enterprise Co., Ltd.				
TOLERANCES			TITLE				
L ≤ 4 ± 0.2			RCA PIN Jack connector 8 port				
4 < L ≤ 16 ± 0.3							
16 < L ≤ 63 ± 0.4							
63 < L ≤ 250 ± 0.5							
Angular = ± 5°			PART NO. JAKP-S813PB-1				
DRAWN	Kevin	DATE	2006/12/15				
SCALE	1:1	SIZE	A4	SHEET	1/1	REV	A0