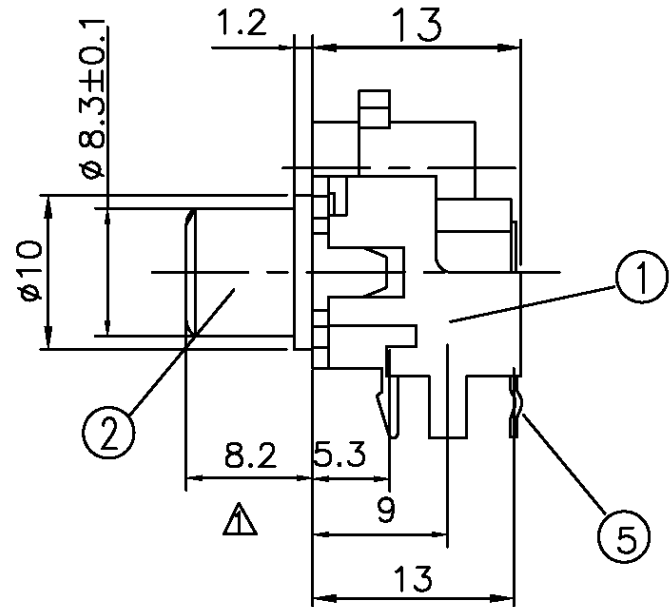
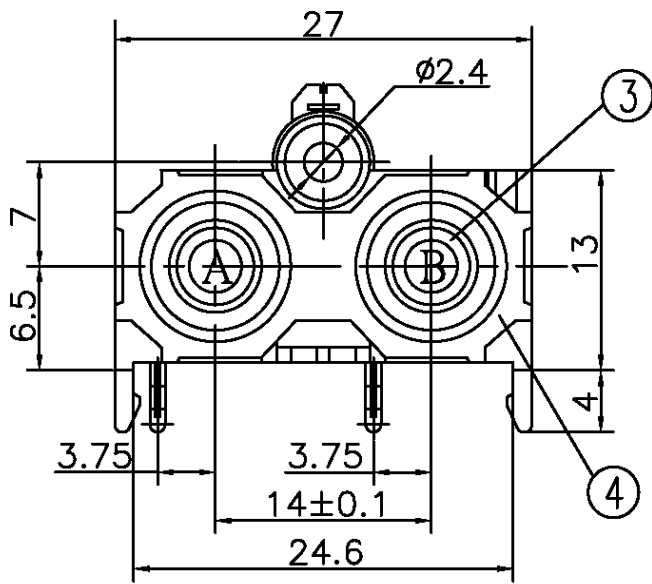
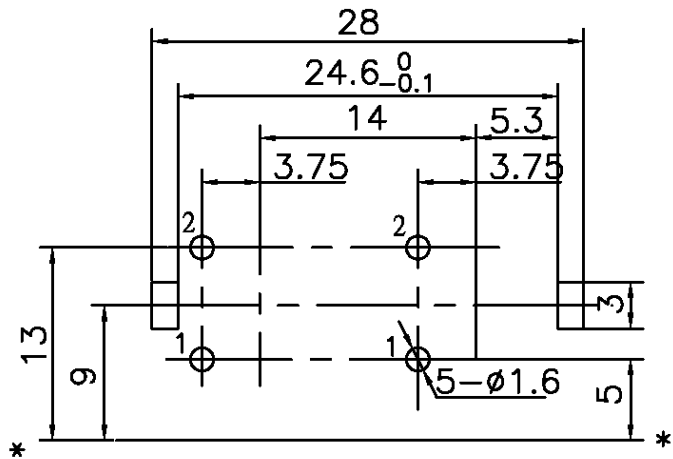


REVISIONS				
LTR	DESCRIPTION	DATE	REVISED	APPROVED
001	NEW ISSUE	2006.02.15	HU LUN	GAO WEI
002	△ 尺寸變更 8-->8.2 以與實物相符	2009.05.06	SIMON	STEVEN



JAKP-S252V-08H	A	B
WASHER COLOR	RED	WHITE
SCHEMATIC		



T:1.6 Dimensions of PC board holes
Tolerance : ±0.1(Printed-top view)

UNLESS OTHERWISE SPECIFIED, TOLERANCE ON DECIMAL: ±0.3

LEAD FREE

5	TERMINAL	2	C2680	t=0.4	MB:Cu Cu/Sn PLATED
4	COVER	1	ABS		UL-94HB(BLACK)
3	WASHER	2	PBT 4815		UL-94V0
2	OUTER CONTACT	2	C2680	t=0.3	MB:Ni Au PLATED
1	HOUSING	1	PBT 4815		UL-94V0(BLACK)
LTR	PART NAME	QTY	MATERIAL		REMARK
UNIT	mm	Projection	Secon International Enterprise Co., Ltd.		
TOLERANCES					TITLE
x.x = ± 0.3	Angle Tolerance = ±				PIN Jack connector
x.xx = ±	Radius = ±				
x.xxx = ±	Hole: ±				
DRAWN	Kevin	DATE	Feb. 15, 2006		PART NO. JAKP-S252V-08H
SCALE	1:1	SIZE	A4	SHEET	1/1 REV AI