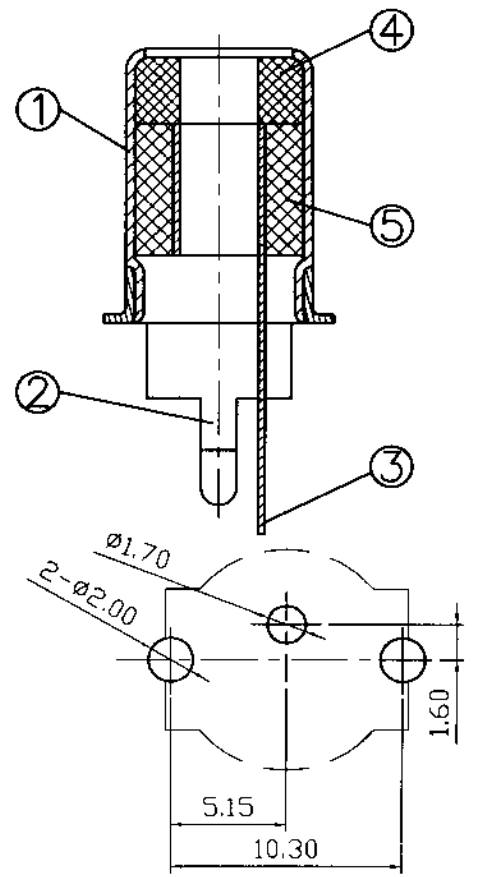
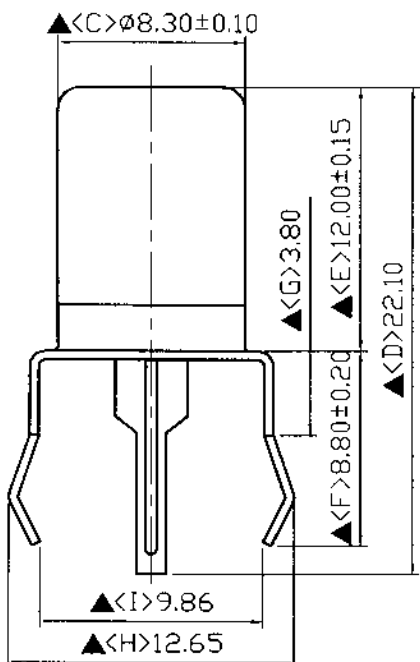
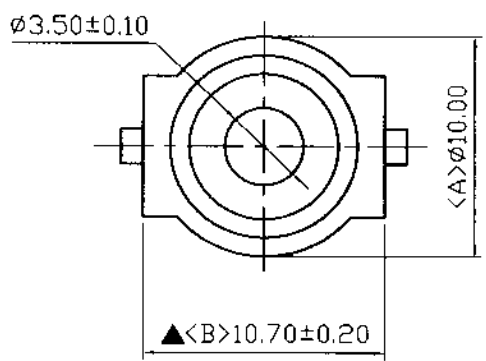


SCHEMATIC	
MODEL NO	U



Pin Hole Layout  
(Jack Bottom View)

5.	Insulator	PBT	1	Black Color
4.	Insulator	PBT	1	Black Color
3.	Pin	0.25T Brass	1	Tin Plating
2.	Mounting Bracket	0.4T Iron	1	Tin Plating
1.	Phone Jack Shell	0.3T Brass	1	Nickel Plating
NO.	Description	Material	Q'TY	Finish

**SPECIFICATIONS:**  
 Contact Resistance : 30mΩ max  
 Insulation Resistance : 100MΩ min. at DC 500V  
 Dielectric Withstanding Voltage: AC 500V for one minute  
 Remark: ▲ : The Most Important Dimension

RoHS  
Compliant

UNIT	mm	Projection		Secom International Enterprise Co., Ltd.			
TOLERANCES				TITLE			
x. = ± Angle Tolerance = ±				PIN Jack connector			
x.x - ± 0.3 Radius - ±				PART NO. JAKP-S606UNT-x			
x.xx = 1 Hole: 1				DRAWN Kevin DATE June. 03, 2010			
SCALE	1:1	SIZE	A4	SHEET	1/1	REV	A1