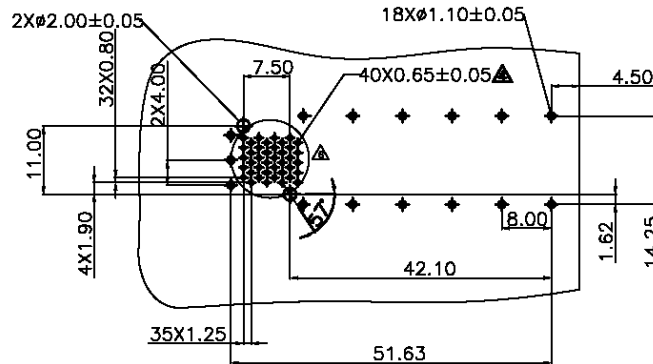
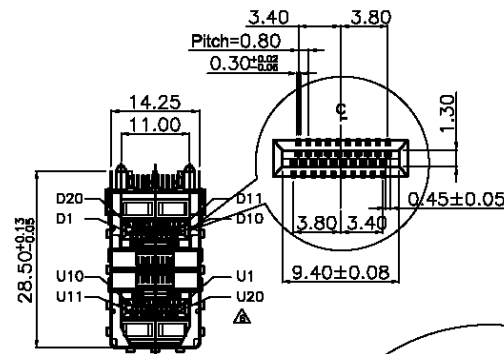
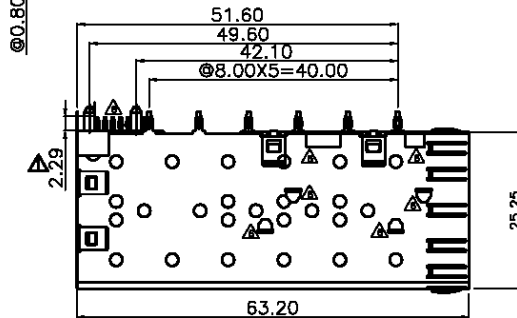
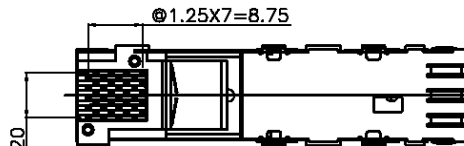
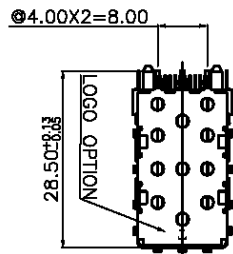
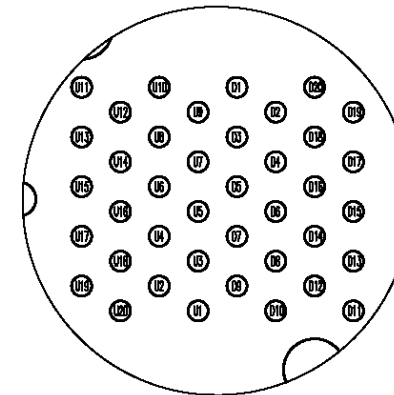


RoHS

THIS IS A RoHS COMPLIANT COMPONENT/PRODUCT.



▲ PC Board Layout Component Side Shown



▲ DETAIL "A" SCALE 5:1

NOTE:  
MECHANICAL:  
CONNECTOR MATERIAL:  
1. HOUSING: HIGH TEMP. UL94V-0, COLOR BLACK.  
2. CONTACT: PHOS-BRONZE C5191 H, t=0.20mm.  
SELECTIVE GOLD PLATING  
3. DURABILITY: 100 CYCLES MIN.  
▲ 4. SHIELD MATERIAL: 01-COVER OF CAGE: SUS-301, t=0.20mm  
02-MIDDLE OF CAGE: SUS-301, t=0.25mm  
03-BOTTOM OF CAGE: SUS-301, t=0.25mm  
04-LEAF SPRING: SUS-301, t=0.20mm

ELECTRICAL:  
DIFFERENTIAL IMPEDANCE: 100 OHMS.  
TEMPERATURE:  
▲ OPERATION TEMPERATURE: -40°C~+85°C  
STORAGE TEMPERATURE: -40°C~+85°C

PART NUMBER: SFP-S33AX-030-0X

1-3u" 2-6u" 01-HIGH TEMP W/T LOGO W/O LEG  
3-15u" 4-30u" 02-HIGH TEMP W/O LOGO W/O LEG ▲  
5-50u"

UNIT	mm	Projection	Scale	Second International Enterprise Co., Ltd.			
TOLERANCES				TITLE			
General Tolerance		Angle Tolerance		SFP 2x1 Connector			
x.x ± 0.2		x° ± 5°					
x.xx ± 0.15		.x° ±					
x.xxx ± 0.1		.xx° ±		PART NO.		SFP-S33Ax-030-0x	
DRAWN	Kevin	DATE	2008/6/25				
SCALE	1:1	SIZE	A3	SHEET	1/1	REV	A6