

NOTES:

MECHANICALS:

- 1.Housing Material:FR52,UL94V-0
- 2.Insert Material:Phos-Bronze C5210
Gold Plating Over Nickel.
- 3.Plate Material:PBT GF UL94V-0
- 4.Contact Material:Phos-Bronze C5191
Sn Plating Over Nickel.
- 5.Shielding Material:Brass C2680 Plating Nickel

ELECTRICAL:

- 1.Turns Ratio($\pm 5\%$): 1CT:1CT
- 2.Inductance(100KHz/0.1V@8mA):350uH MIN
- 3.Insertion Loss(dB MAX):-1.0dB(1-80MHz),-1.2dB(100MHz)
- 4.Return Loss(dB TYP):-14dB(1-60Mhz),-10dB(60-100MHz)
- 5.Crosstalk(dB MIN):-35dB(1-80MHz)
- 6.HI-POT(Pri to Sec):1500Vrms/0.5mA/60Sec or
1650Vrms/0.5mA/2Sec
- 7.LED:Green:Wavelength:565nm,Forward(Max):2.5V,TYP:2.2V,20mA
Yellow:Wavelength:585nm,Forward(Max):2.5V,TYP:2.1V,20mA
- 8.Operating Life:750 Cycles MIN
- 9.Operating Temperature: $0^{\circ}\text{C} \sim +70^{\circ}\text{C}$
- 10.Storage Temperature: $-40^{\circ}\text{C} \sim +85^{\circ}\text{C}$
- 11.Mates With Modular Plug Conforming To FCC Part68.

Packaging:

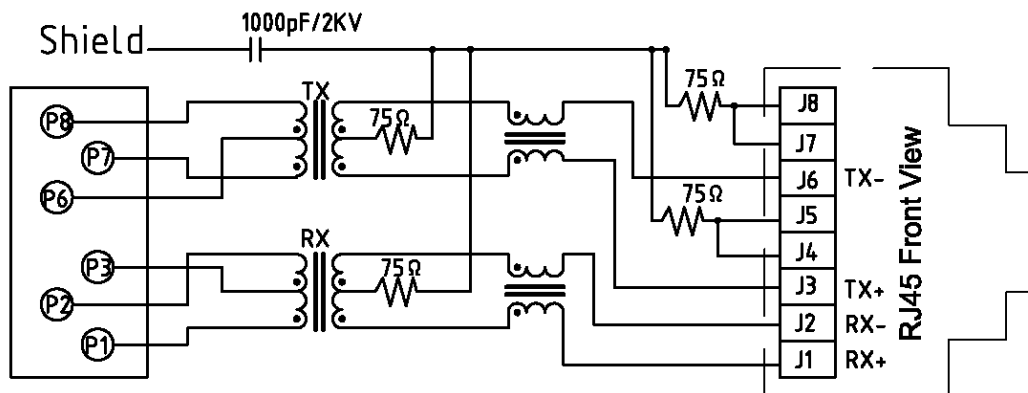
- 1.Tray:60PCS/Tray,1320PCS/22Tray/box
- 2.Tape&Reel:150PCS/roll,900PCS/6Roll/box

Part Number:

JAKM-S3T1X-314-0X

1-3u", 2-6u",
3-15u", 4-30u", 5-50u"

- 01-Housing-Black.Tray
- 02-Housing-Black.Tape&Reel
- 03-Housing-Green.Tray
- 04-Housing-Green.Tape&Reel



UNIT	mm	Projection		Seconn International Enterprise Co., Ltd.			
TOLERANCES				TITLE			
.xxx = ± 0.15				10/100 Base-T Single port SMD RJ45 Jack			
.xx = ± 0.25				Magnetics Connector			
.x = ± 0.3				PART NO. JAKM-S3T1x-314-0x			
DRAWN	Jack	DATE	2012/4/5	REV			
SCALE	1:1	SIZE	A4	SHEET	1/1	REV	A0