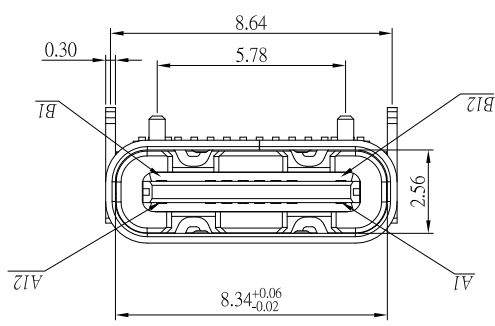


A B C D E F G H I J

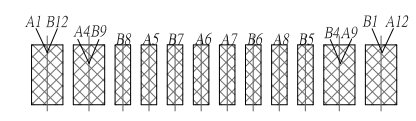
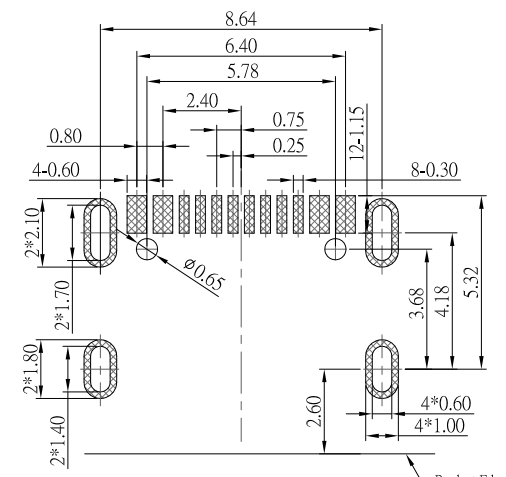
1  
2  
3  
4  
5  
6  
7



**USB-SC160S1A-20X-S412**

鍍層厚度:

Blank : 1u"
2 : 15u"
3 : 30u"



RECOMMENDED P.C.B. LAYOUT

**SPECIFICATIONS**

**Electrical:**

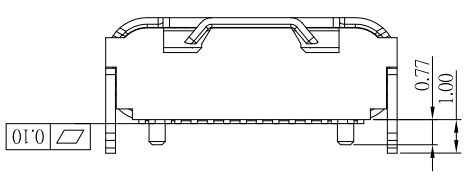
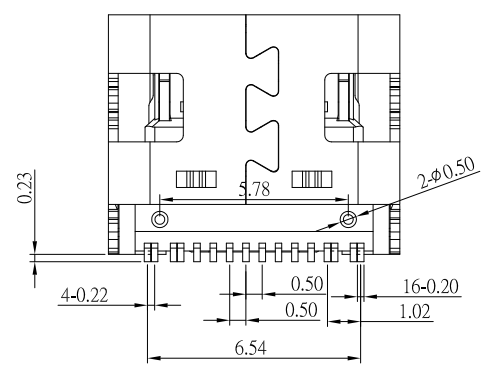
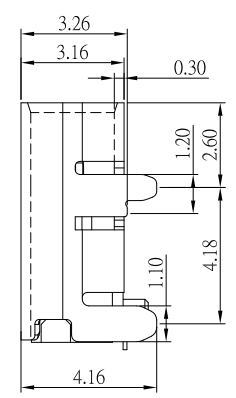
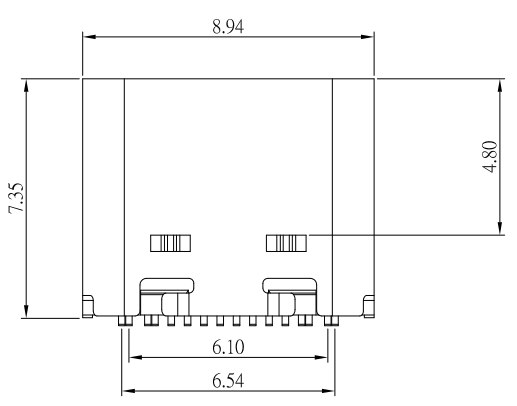
1. Dielectric Withstand Voltage: 100V AC
2. Contact Resistance: 40 mΩ Max
3. Insulation Resistance: 100 MΩ Min

**Material:**

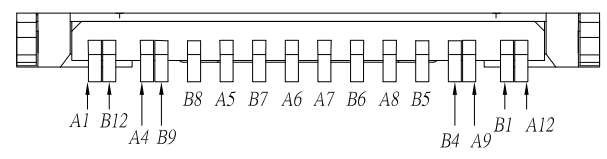
1. Housing: LCP
2. Contact: Copper Alloy
3. Shell: SUS

**Finish:**

1. Contact: Plated Gold in Mating Area ;  
Gold Plated on Solder Balls ;  
Nickel under plated overall
2. Shell: Nickel under Plated surface layer



A1	GND	B12	GND
A4	VBUS	B9	VBUS
A5	CC1	B8	SBU2
A6	DP1	B7	DN2
A7	DN1	B6	DP2
A8	SBU1	B5	CC2
A9	VBUS	B4	VBUS
A12	GND	B1	GND
PIN	SIGNAL NAME	PIN	SIGNAL NAME



1	更新圖面	Jack	111419
ITEM NO.	DESCRIPTION	DRAWN	DATE



**Seconn International Enterprise Co., Ltd.**

TOLERANCES		PROJECTION	TITLE	
30-50 mm ± 1.00 15-30 mm ± 0.60 05-15 mm ± 0.20 UP To 05 mm ± 0.12		 UNIT mm	USB Type C 2.0 Female 16 Pin Type Connector for PCB	
DRAWN	JACK LU		DATE	2019/11/14
SCALE	1:1	SIZE	A4	PART NO. USB-SC160S1A-20X-S412
SHEET		1/1	REV	R1

A B C D E F G H I J