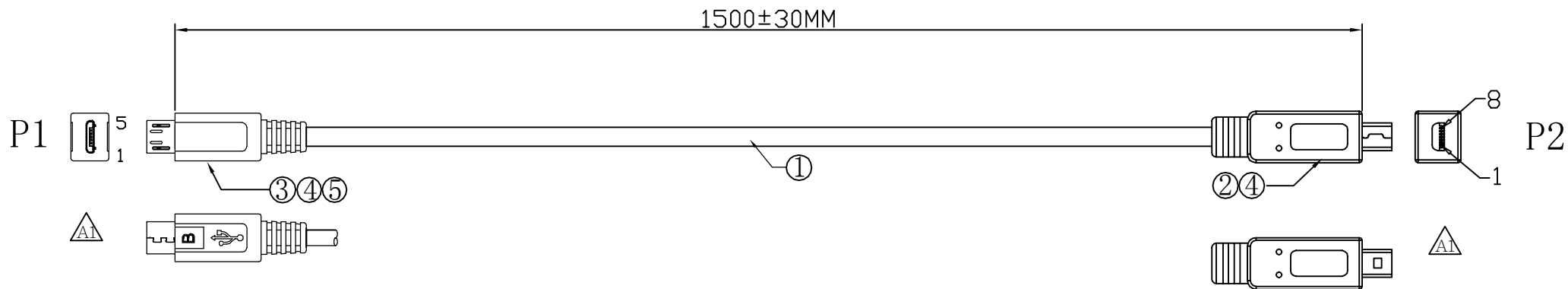
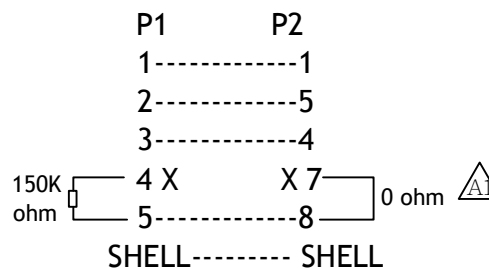


型号	模号
MICRO外模:	
MINI外模:	

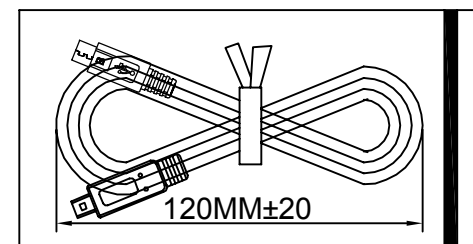
版本 REV.	變更內容 DESCRIPTION	日期 DATE	制圖 DR.	審核 APPD
A1	REVISE PIN OUT & MODEL ORIENTATION	20211022	TAN	



PIN OUT



PACKING: 1 PCS/BAG



ELECTRICAL CHARACTER:

- 100% OPEN&SHORT TESTING
- WITHSTANDING VOLTAGE:DC 300V/0.1Sec
- INSULATION RESISTANCE: 10 M Ohms(Min)
- CONDUCTIVE RESISTANCE:5 Ohms(Max)

PART LIST: ALL "ROHS" COMPLIANT, ALL MATERIALS ARE EQUIVALENT.

5	150K ohm 1/4W	1	PCS
4	PVC 45P MA-001 BLACK	20g	
3	MICRO USB B M BLACK PBT WITH NICKLE PLATED SHELL	1	PCS
2	MINI USB 8 M BLACK PBT WITH NICKLE PLATED SHELL	1	PCS
1	CABLE: UL2725 28#*4C+AE OD:2.8 BLACK L:1500mm	1	PCS
ITEM	STANDARD SPECIFICATION	Q' TY	UNIT

Seconn International Enterprise Co., Ltd.

TOLERANCES		PROJECTION		TITLE									
AS DRAWING		 UNIT mm		Mini USB 8 Pin male to Micro USB 5 Pin Male Cable L: 1500mm									
								DRAWN	Diana	DATE	2021/08/25	PART NO.	SC-S-2108-2501
								SCALE	X:1	SIZE	A4	SHEET	1/1