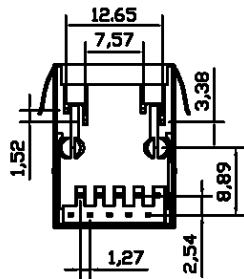
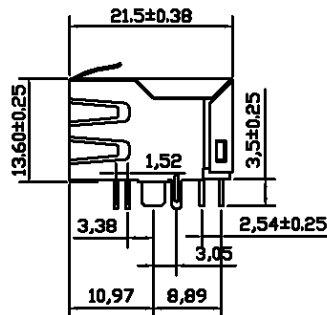
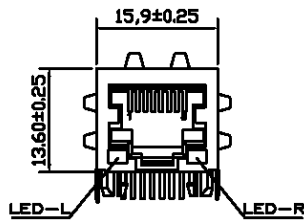


PCB Layout



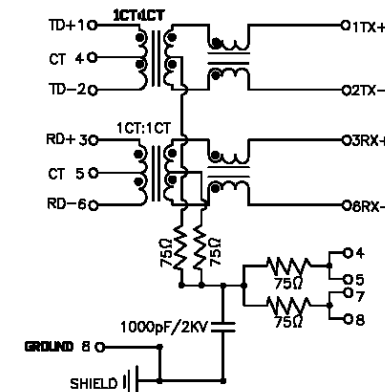
Stand LED	Wavelength	Forward*V(Max)	TYP
Green	585nm	2.5v	2.2v
Yellow	585nm	2.5v	2.1v

With a forward current of 20mA

NOTE:

- 1.Shielded - 0.20mm THICKNESS BRASS C2680 H. PLATING NICKEL 20u"-40u".
- 2.Housing- Standard Material Nylon66,Glass Filled Polyester UL94V-0 Standed Color Black.
- 3.RJ Terminal- Plastic:Nylon66, UL94V-0,Standard Color Black. Pin:0.35mm Thickness Phos-Bronze C5210 EH. Plating:Nickel40u"~60u" for all and Sn 100% ,and Gold Plating.
- 4.Input Terminal- Nylon66,Glass Filled,UL94V-0, Standard Color Black. Pin:0.35mm SUS430. Plating:Nickel40u"~60u" for all and Sn 100%.

Schematic Type 85



Part Number: JAKR-S3T1X-320-XX



XX	LED TYPE			
	Left LFD		Right LED	
	+9,-10	-9,+10	+11,-12	-11,+12
01	Green	-	Yellow	-
02	Yellow	-	Green	-
03	Green	-	Green	-
04	-	Green	-	Yellow
05	-	Yellow	-	Green
06	Yellow	-	Orange	Green
07	Orange	Green	Yellow	-
08	Green	-	-	Yellow
09	Green	Yellow	Yellow	Green
10	Green	Yellow	Green	Yellow
11	-	-	-	-

RJ45 Plating		
Contact Area	Solder tail	Under plating
3μ" gold	150μ" Tin Min.	50μ" Nickel
6μ" gold		
15μ" gold		
30μ" gold		
50μ" gold		

UNIT	mm	Projection	Se	Seconn International Enterprise Co., Ltd.			
TOLERANCES				TITLE			
.x = ±0.25 x.° ±5° .xx = ± 0.15 .x" ± .xxx = ±0.1				10/100 Base-T RJ45 PCB Jack Connector 8P8C			
DRAWN	Kevin	DATE	2013/2/20	PART NO.	JAKR-S3T1X-320-XX		
SCALE	2/1	SIZE	A4	SHEET	1/1	REV	A0