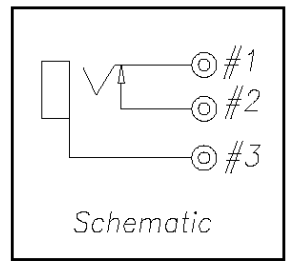
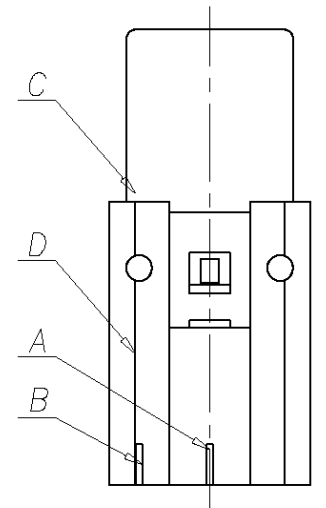
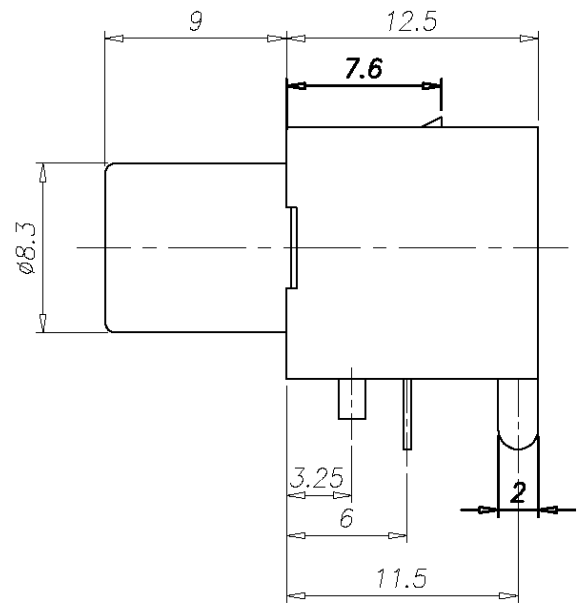
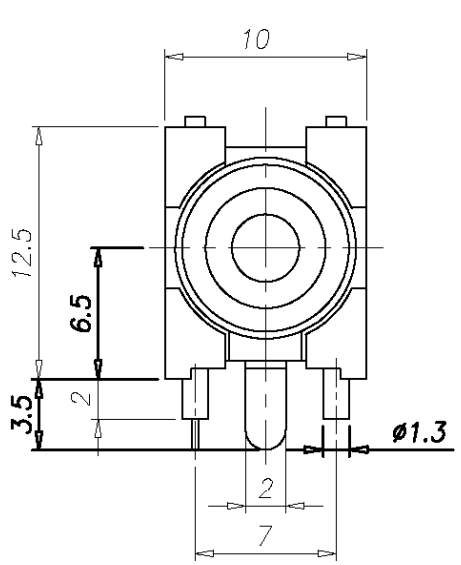
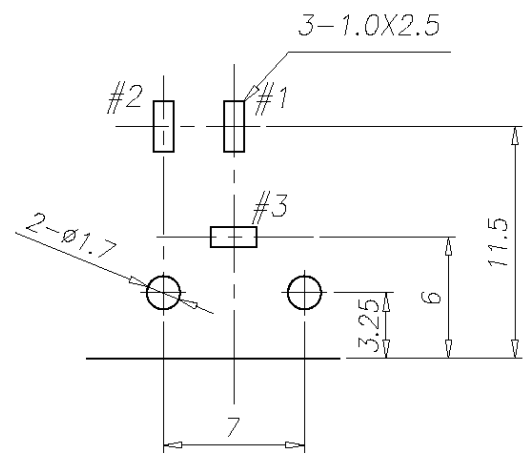
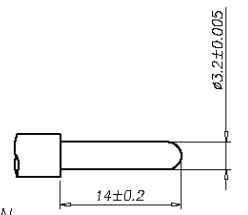


REV.	ECN NO	DESCRIPTION	REVISED	DATE
A1				2010-03-01



- SPECIFICATION**
- Voltage and Current Rating: 12V & 1A
 - Contact resistance: 30mΩ MAX.
 - Insulation resistance: 100MΩ MIN. @ DC500V
 - Withstand voltage: 500VAC for 1min.
 - Insertion Force: 3Kgf MAX.
 - Extraction Force: 0.3Kgf MIN.
 - Withdraw Force for Center Contact: 0.08Kgf MIN.
(Use a OD=3.2±0.005mm, Length=14±0.2mm Gauge Plug)
 - Life test: 1,500 cycles
 - Temperature Range: -25 C~70°C
 - Solder heat resistance: wave soldering 260°C 5 secs



RECOMMENDED PCB LAYOUT
JACK TOP VIEW

D	Housing	1	PBT UL94V-0	White	
C	Outer Contact	1	BRASS, T=0.35	CuSn Plating	
B	#2 Terminal	1	BRASS, T=0.4	Silver Plating	
A	#1 Terminal	1	Phosphor Bronze, T=0.3	Silver Plating	
NO.	PART NAME	Q'TY	MATERIAL	PLATING & COLOR	Remark

UNIT	mm	Projection	Se	Secom International Enterprise Co., Ltd.			
TOLERANCES				TITLE			
x = ±0.3	x' = 1"			RCA Jack1x1 Ports Connector			
x.x = ±0.2	x.x° = 0.5°						
x.xxx = ±0.10	.xx° =						
x.xxx = ±0.05					PART NO.	JAKP S18.4 2A	
DRAWN	Kevin	DATE	2010/3/1				
SCALE	1/1	SIZE	A4	SHEET	1/1	REV	A0