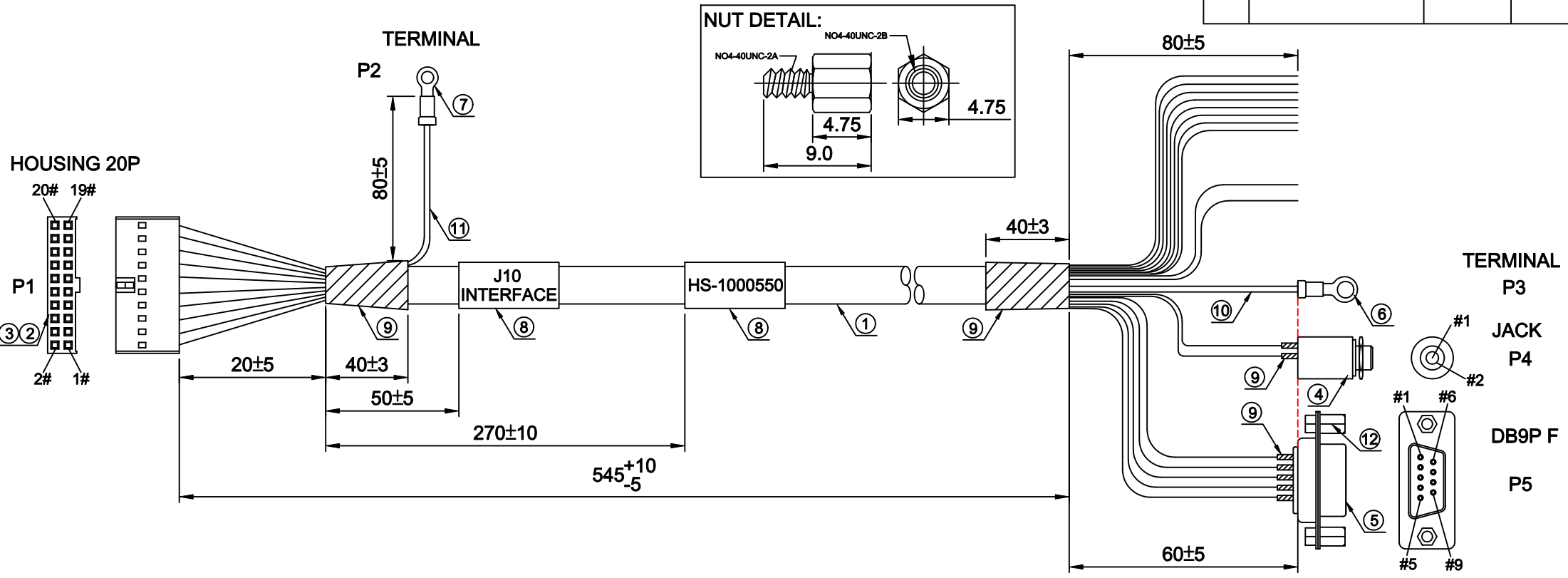


RoHS COMPLIANT

DESCRIPTION CONTROL			
REV	DESC	DATE	APP
A	FIRST RELEASE	2015/02/27	



ITEM	QTY	PART NO.	DESCRIPTION
12	2	C0099	NUT:#4-40UNC 4.75*9.0MM.
11	1	F0071	22AWG UL1007 BLACK.
10	1	F0094	22AWG 600V UL1015 GREEN/YELLOW
9	16		HEAT SHRINK TUBE.
8	2		LABEL WITH TRANSPARENT TUBE.
7	1	B0327	TERMINAL:PV22-6R YELLOW(EQUIVALENT)HRV1.25-3.7S
6	1	B0294	TERMINAL:PV18-14R RED(EQUIVALENT)HRV1.25-6.
5	1	A0398	DB9P FEMALE SOLDER TYPE BLACK INSULATOR.
4	1	A0623	DC JACK (SCJ649MINIT4B00).
3	18	B0336	TERMINAL:PITCH:2.54MM (MOLEX:90119-0109).
2	1	B0329	HOUSING 20P PITCH:2.54MM (MOLEX:0901420020).
1	1	E0932	UL2464 28AWG/22C+AM+B OD:7.0MM BLACK.

NOTES:

- PIN ASSIGNMENT SEE TO WIRE LIST.
- ELECTRICAL TEST CONDITION:
 - 100%OPEN,SHORT & MISWIRE TEST,
 - INSULATOR RESISTANCE:20 Mohm MIN. DC 300V 0.01sec.
 - CONTACT RESISTANCE:3ohm MAX.

UNIT	mm	Projection	Secon	Seconn International Enterprise Co., Ltd.			
DRAWN	Deng zhifei	SCALE	FREE	TITLE			
CHECK, BY	Bao jiawei	REV	A	HOUSING 20P+TERMINAL/DB9P F+JACK+TERMINAL+OPEN			
APP, BY	Mr. Huang	DATE	2015/02/27	TOLERANCES			
DWG NO.	SE-S-0177			X.= ±	.X= ±	.XX= ±	.XXX= ±
PART NO.				SHEET	1/2	SIZE	A4

RoHS COMPLIANT

DESCRIPTION CONTROL			
REV	DESC	DATE	APP
A	FIRST RELEASE	2015/02/27	

PIN ASSIGNMENT

P1			
1	BROWN		
2	RED		
3	ORANGE		
4	YELLOW		
5	GREEN		
6	BLUE		
19	VIOLET		
7	GRAY		
9	WHITE		
10	WHT/BRN		
			P4
11	WHT/RED		1
12	WHT/ORG		2
			P5
13	WHT/YEL		1
14	WHT/GRN		2
14	WHT/BLU		3
15	WHT/VIO		4
16	WHT/GRY		5
16	WHT/BLK		6
17	BLACK		7
17	BLK/RED		8
18	BLK/WHT		9
P2		P3	
TERMINAL		TERMINAL	
(SHIELD)		(SHIELD)	

UNIT	mm	Projection			Seconn International Enterprise Co., Ltd.				
DRAWN	<i>Deng zhifei</i>	SCALE	FREE	TITLE					
CHECK, BY	<i>Bao jiawei</i>	REV	A	HOUSING 20P+TERMINAL/DB9P F+JACK+TERMINAL+OPEN					
APP, BY	<i>Mr. Huang</i>	DATE	2015/02/27	TOLERANCES					
DWG NO.	SE-S-0177			X.= ±	.X= ±	.XX= ±	.XXX= ±		
PART NO.		SHEET	2/2	SIZE	A4				