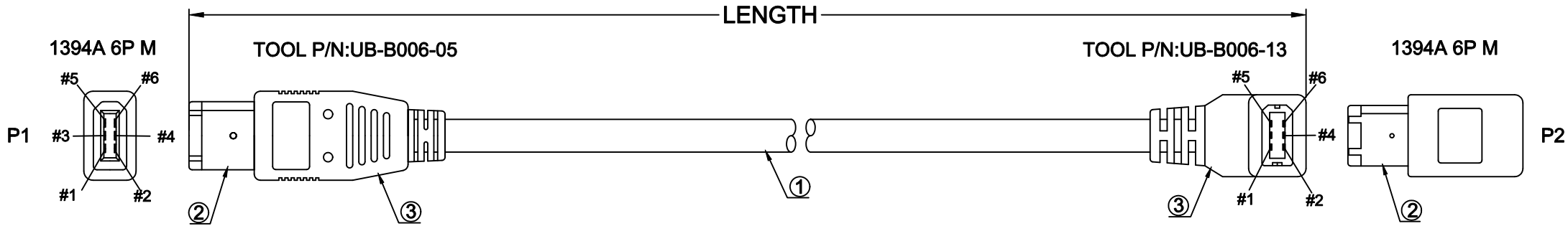
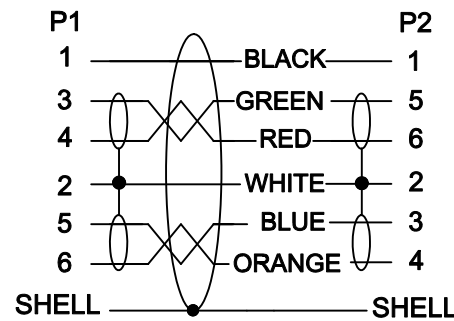


**RoHS COMPLIANT**

DESCRIPTION CONTROL			
REV	DESC	DATE	APP
A	FIRST RELEASE	2015/01/09	



**PIN ASSIGNMENT**



**NOTES:**

1. PIN ASSIGNMENT SEE TO WIRE LIST.
2. ELECTRICAL TEST CONDITION:
  - (a). 100% OPEN, SHORT & MISWIRE TEST,
  - (b). INSULATOR RESISTANCE: 20 Mohm MIN.  
DC 300V 0.01sec.
  - (c). CONTACT RESISTANCE: 3 ohm MAX.

3		G0001	ALL CONNECTORS OVERMOLD BLACK PVC.
2	2	A0286	1394A 6P MALE, BLACK INSULATOR, SOLDER TYPE.
1	1	E0919 H7306BT-1	(24AWG*1P+D+AM+HM)*2PCS+22AWG*2C+M+AM+ BRAID OD:7.1MM BLACK PVC JACKET UL20276.
ITEM	QTY	PART NUMBER	DESCRIPTION

UNIT	mm	Projection			Seconn International Enterprise Co., Ltd.		
DRAWN	Deng zhifei	SCALE	FREE	TITLE			
CHECK, BY	Cao jiawei	REV	A	1394A 6P M/M			
APP, BY	Mr. Huang	DATE	2015/01/09	TOLERANCES			
DWG NO.	SE-S-0170			X.= ±	.X= ±	.XX= ±	.XXX= ±
PART NO.		SHEET	1/1	SIZE	A4		