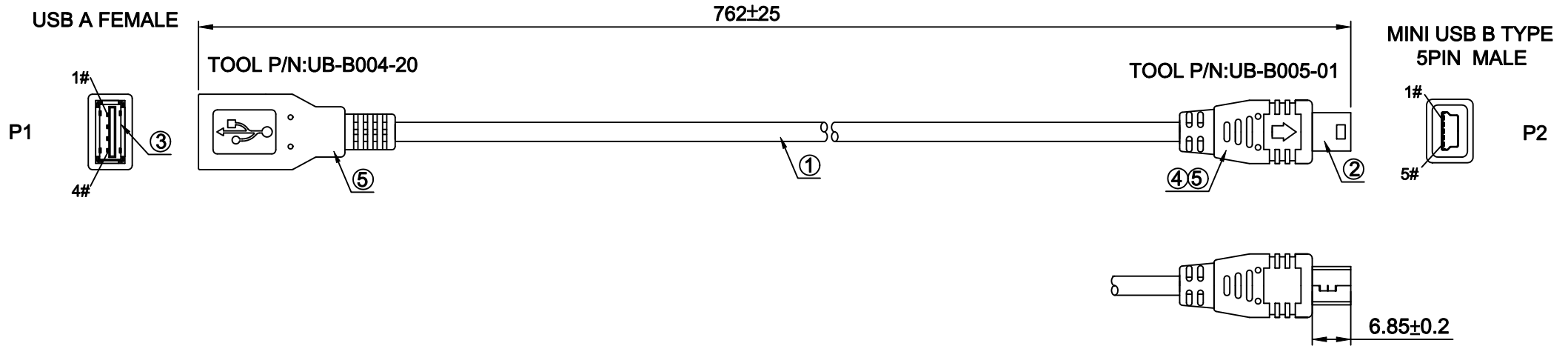
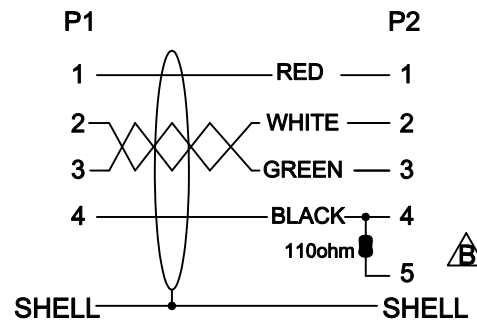


**RoHS COMPLIANT**

DESCRIPTION CONTROL			
REV	DESC	DATE	APP
A	FIRST RELEASE	2014/10/10	
B	ADD RESISTOR	2015/01/23	



**PIN ASSIGNMENT**



**NOTES:**

- PIN ASSIGNMENT SEE TO WIRE LIST.
- ELECTRICAL TEST CONDITION:
  - 100% OPEN, SHORT & MISWIRE TEST,
  - INSULATOR RESISTANCE: 20 Mohm MIN. DC 300V 0.01sec.
  - CONTACT RESISTANCE: 1ohm MAX.

5		G0001	ALL CONNECTORS OVERMOLD BLACK PVC.
4	1	N0284	RESISTOR:110ohm.
3	1	A0183-1/ D0059	USB A TYPE FEMALE SOLDER TYPE,WHITE INSULATOR WITH METAL CAN.
2	1	A0465	MINIUSB B TYPE 5P MALE,SOLDER TYPE,BLACK INSULATOR,CONTACT NICKEL PLATED 30U".
1	1	E0329 H16904G	28AWG*1P+28AWG*2C+A+D+B OD:3.5MM UL2725 BLACK PVC JACKET.
ITEM	QTY	PART NUMBER	DESCRIPTION

UNIT	mm	Projection			Seconn International Enterprise Co., Ltd.
DRAWN	Deng zhifei	SCALE	FREE	TITLE	
CHECK, BY	Eao jiawei	REV	B	OTG-USB A F/MINIUSB 5P M	
APP, BY	Mr. Huang	DATE	2014/10/10	TOLERANCES	
DWG NO.	SE-S-0154			X.= ±	.X= ±
PART NO.	SE-S-0154-0.76M			.XX= ±	.XXX= ±
SHEET	1/1	SIZE	A4		