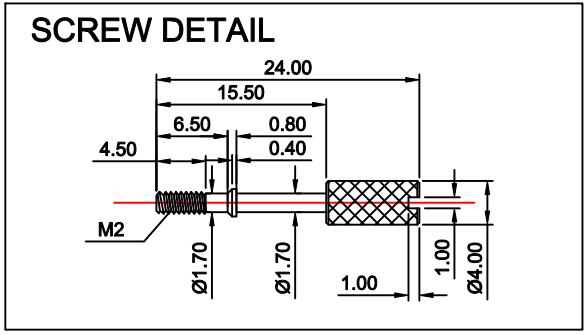
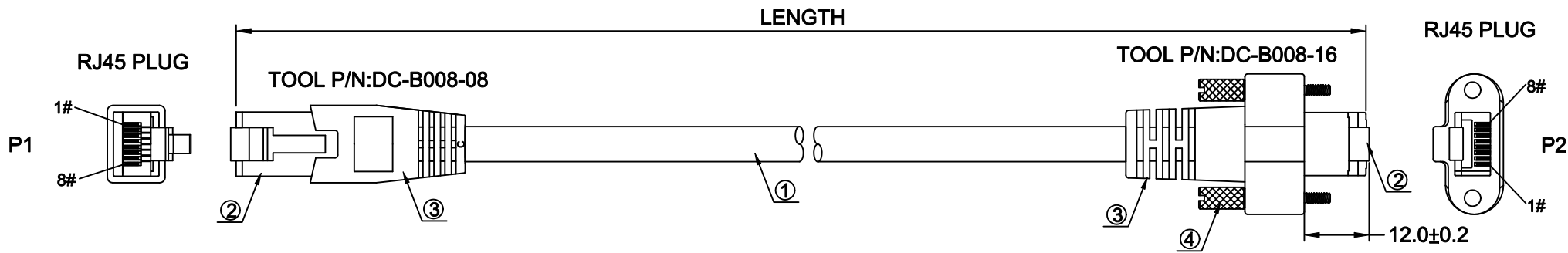
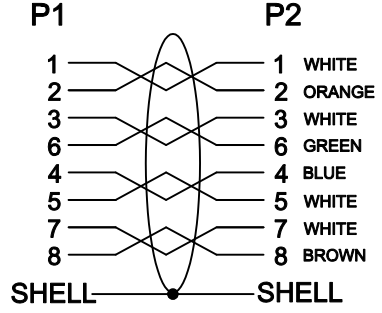


**RoHS COMPLIANT**

DESCRIPTION CONTROL			
REV	DESC	DATE	APP
A	FIRST RELEASE	2015/05/27	



**PIN ASSIGNMENT**



**NOTES:**

- PIN ASSIGNMENT SEE TO WIRE LIST.
- ELECTRICAL TEST CONDITION:
  - 100% OPEN, SHORT & MISWIRE TEST,
  - INSULATOR RESISTANCE: 20 Mohm MIN. DC 300V 0.01sec.
  - CONTACT RESISTANCE: 3 ohm MAX.

ITEM	QTY	PART NUMBER	DESCRIPTION
4	2	C0332	SCREW:M2 4.0*24.0MM,NICKEL PLATED.
3		G0001	ALL CONNECTORS OVERMOLD BLACK PVC.
2	2	A0650	RJ45 8P8C PLUG,WITH SHELL,CAT6.(#TC6H6-23E)
1	1	E0762	SSTP CAT. 6 (26AWG*1PAIR+AM)*4PCS+BRAID OD:6.2MM BLACK PVC JACKET .CSA

UNIT	mm	Projection			Seconn International Enterprise Co., Ltd.
DRAWN	Deng zhifei	SCALE	FREE	TITLE	
CHECK, BY	Caojiawei	REV	A	RJ45 M/M	
APP, BY	Mr. Huang	DATE	2015/05/27	TOLERANCES	
DWG NO.	SE-S-0196			X.= ±	.X= ±
PART NO.		SHEET	1/1	SIZE	A4