

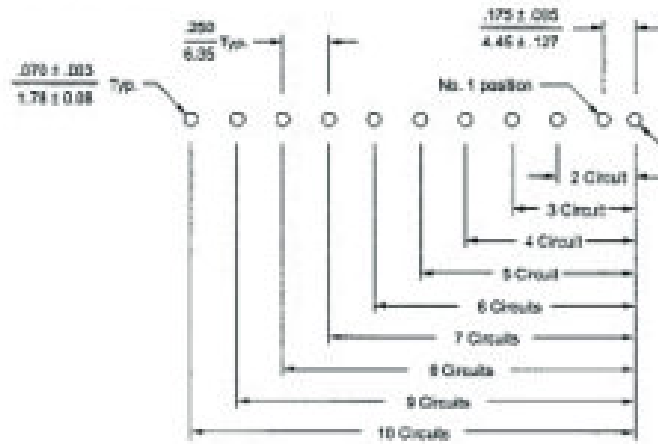
- 2 ~ 15 circuits available
- Material: UL 94V-2 nylon 66
- Mates with ALEX 9635-xxR housing

- Standard color: Nature
- UL file No.: E114003
- CSA file No.: LR86545

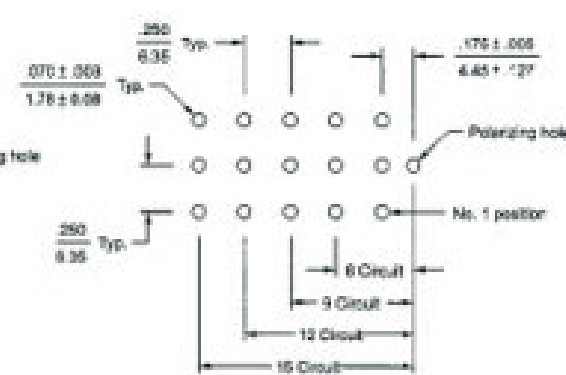
With Male Pins

9635-06W (Without Polarizing feature)

2 - 10 circuits:

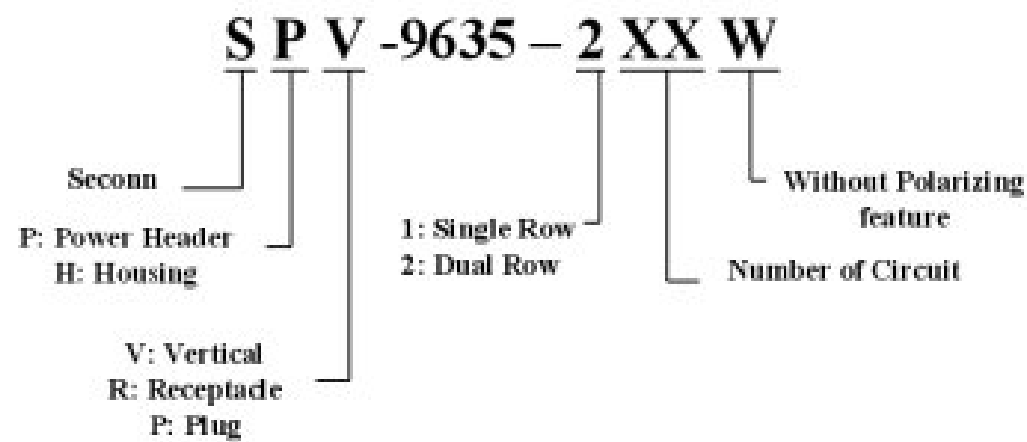
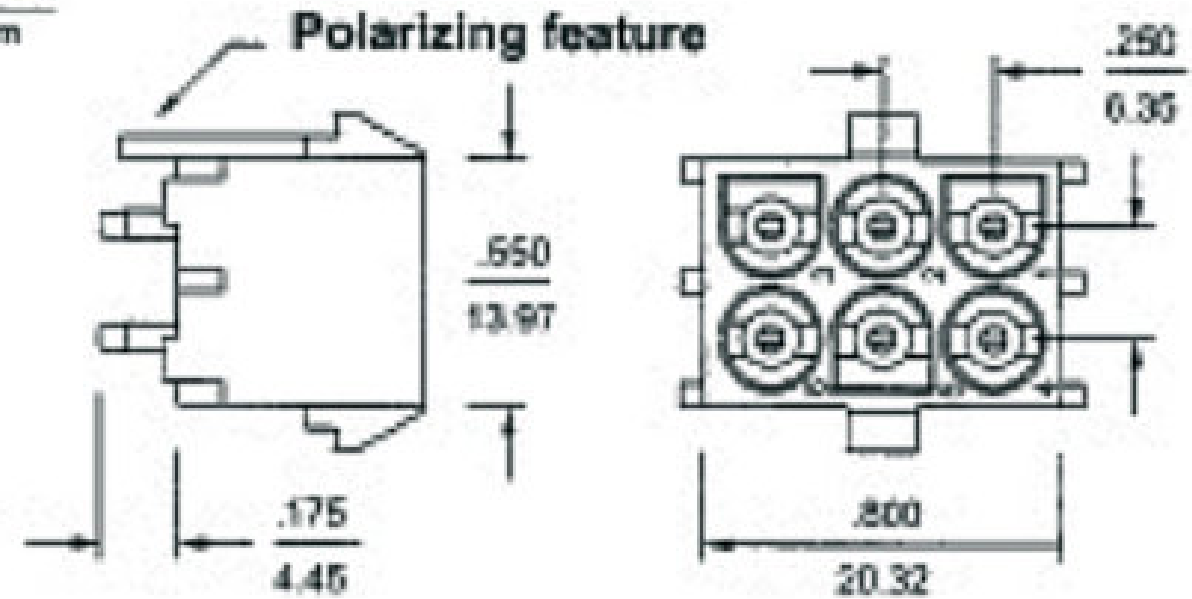


6 - 15 circuits:



P. C. board hole dimensions

Inches
mm



UNIT	mm			Seconn International Enterprise Co., Ltd.			
TOLERANCES				TITLE			
				.25" (6.35mm) Pitch Power Connector Vertical Header			
				PART NO.		SPV-9635-2XXW	
DRAWN		DATE					
SCALE		SIZE	A4	SHEET	1/1	REV	

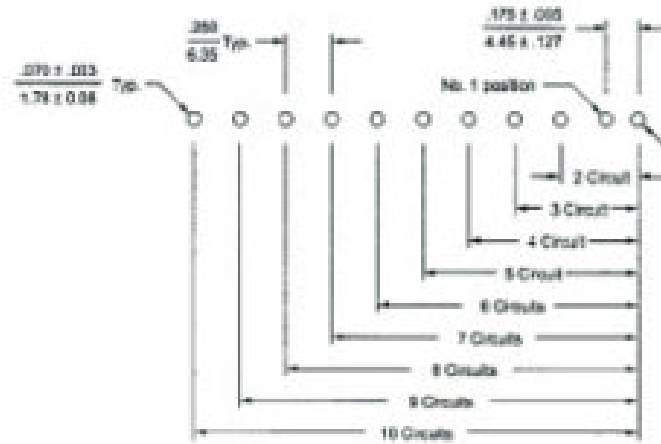
- 2 - 15 circuits available
- Material: UL 94V-2 nylon 66
- Mates with ALEX 9635-xxR housing

- Standard color: Nature
- UL file No.: E114003
- CSA file No.: LR86545

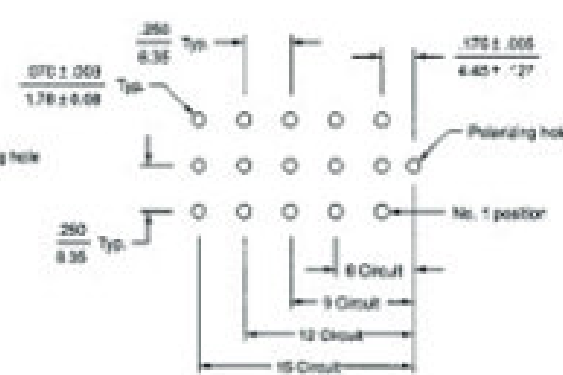
With Male Pins

SPV-9635-2-06-W (Without Polarizing feature)

2 - 10 circuits:

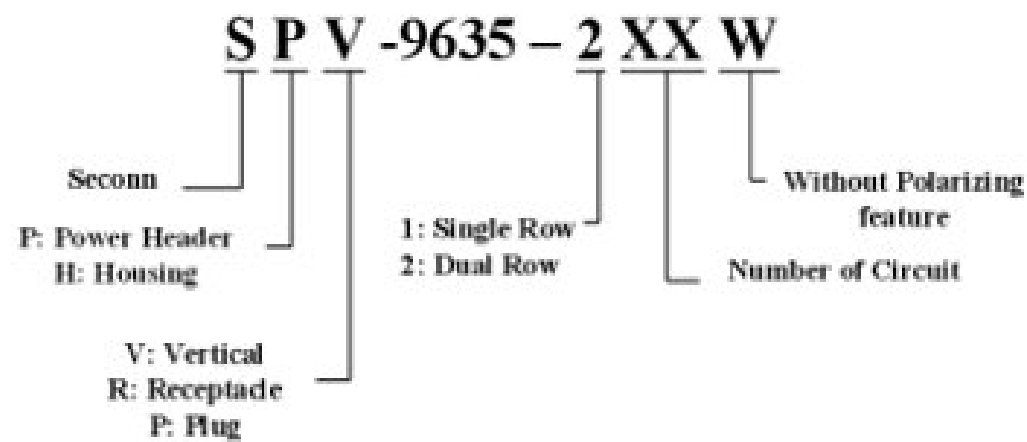
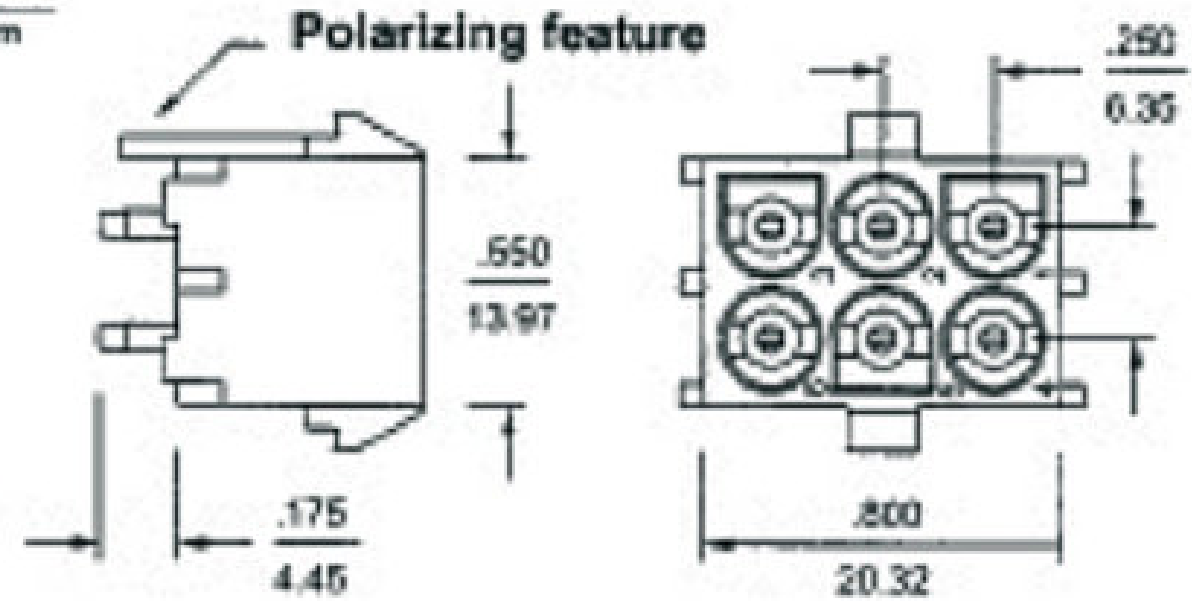


6 - 15 circuits:



P. C. board hole dimensions

Inches
mm



UNIT	mm			Secom International Enterprise Co., Ltd.			
TOLERANCES				TITLE			
				.25" (6.35mm) Pitch Power Connector Vertical Header			
				PART NO.		SPV-9635-2XXW	
DRAWN		DATE					
SCALE		SIZE	A4	SHEET	1/1	REV	