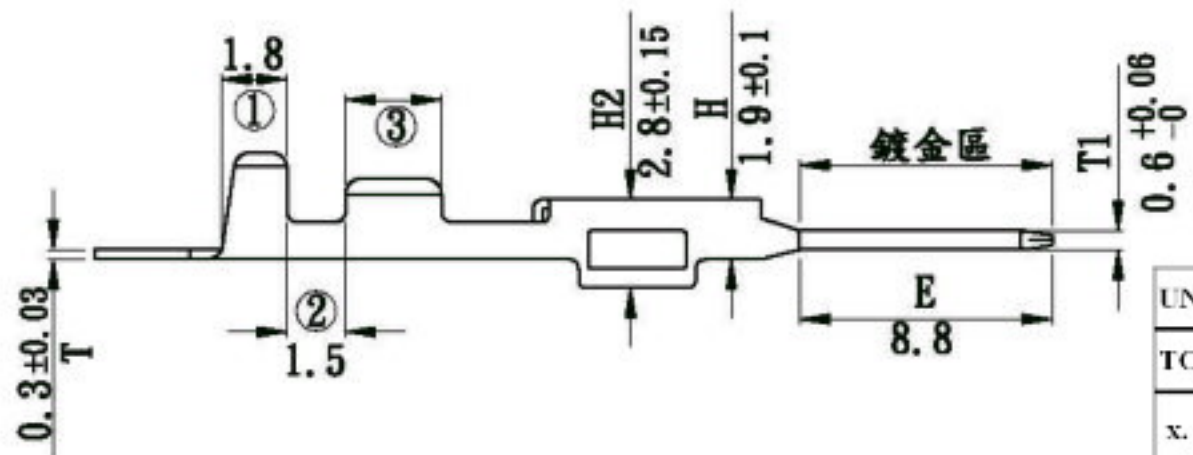
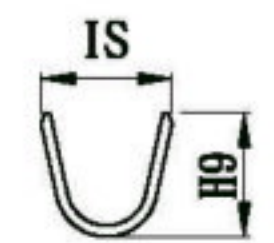
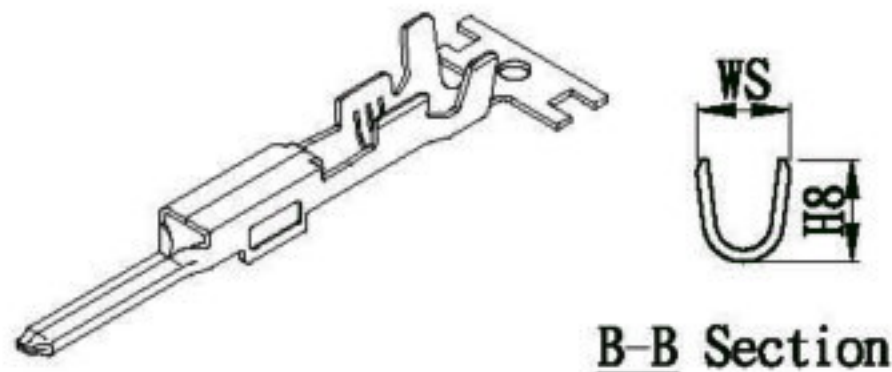
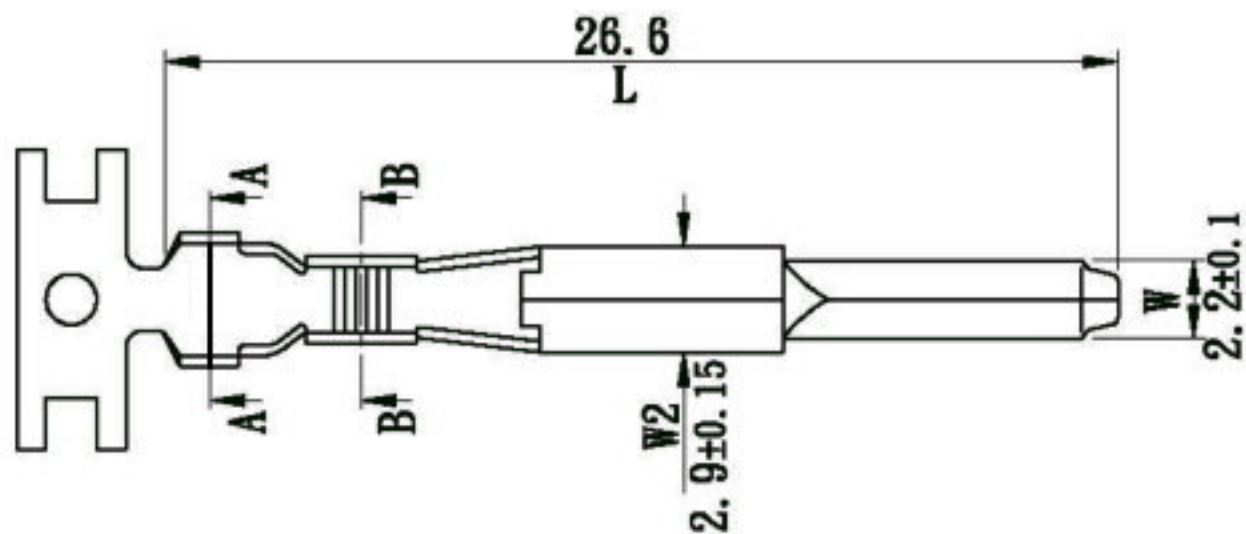


Part No.	Surface Treatment	Wire AWG#	Insulation O.D	IS	WS	H9	H8	(3)	Packing
ST007M-2302TR	above Tin-Plated 40u"	16~18	3.2~2.9	4.6	3.3	4	3	4	4000pcs



UNIT	mm	Projection		Secom International Enterprise Co., Ltd.			
TOLERANCES				TITLE			
x. = ± 0.3      .xxx = ±				090 Type male Terminal			
.x = ±				PART NO. ST007M-2302TR			
.xx = ±				DRAWN Kevin    DATE 04/27/07			
SCALE	1:1	SIZE	A4	SHEET	1/1	REV	A1