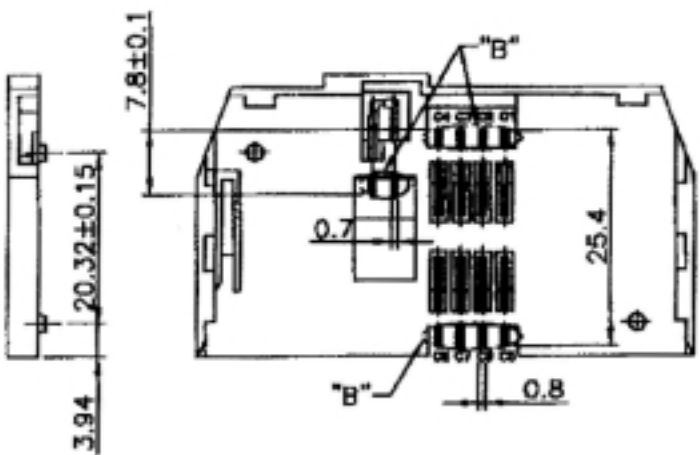
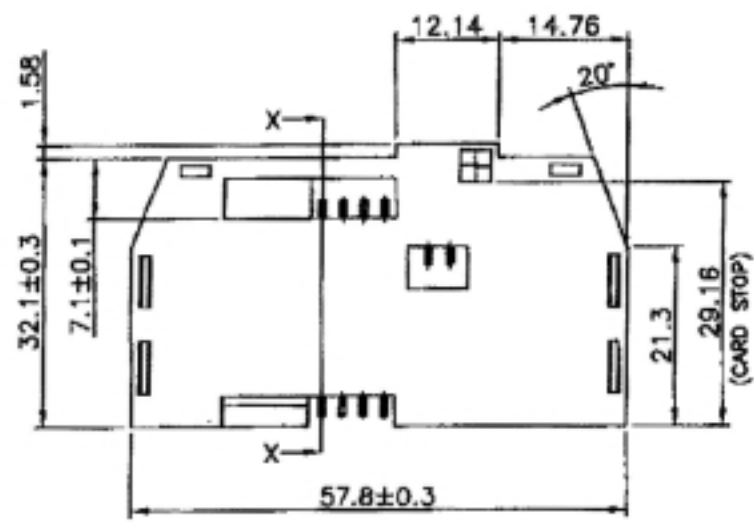


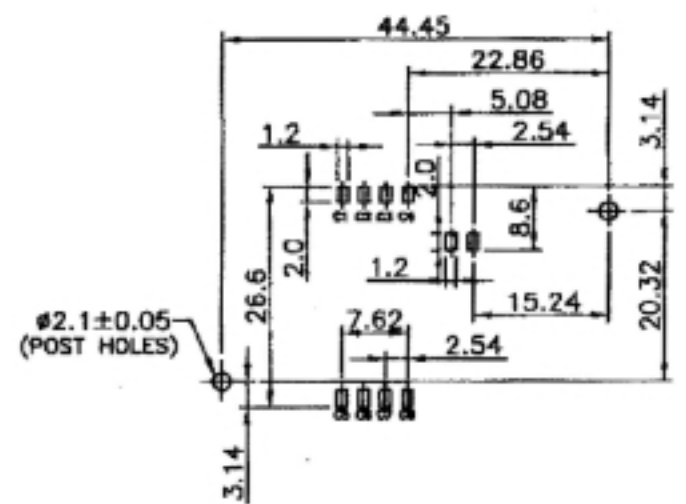
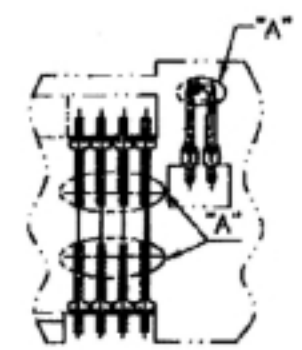
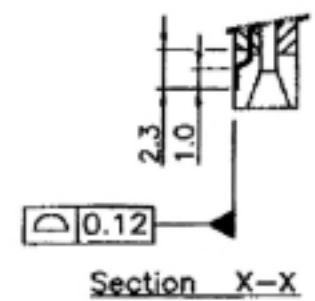
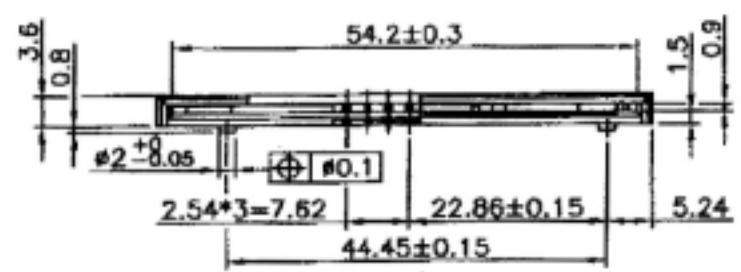
1 2 3 4 5 6 7 8

F
F
D
C
B
A

F
E
D
C
B
A



- Material and Finish:**
 1. Insulator Material: Cover: Nylon-9T,UL94V-O,Color:Black
 Base: Nylon-9T,UL94V-O,Color:Black
 2. Contact Material: Phosphor Bronze
 3. Contact Plated: See Remark "A","B"
 4. Switch Terminal Material: Phosphor Bronze
 5. Switch Terminal Plated: See Remark "A","B"
 6. Current Rating: 0.5 AMP Max.
 7. Contact Resistance: 100 mohms Max.
 8. Insulation Resistance: 1000 Mohms Min.
 9. Dielectric Withstanding Voltage: 500V AC
 10. Operating Temperature: -40°C to +155°C
 11. Packing: Tray
 12. Card Detection Switch(Normal Open)
 13. Mating Cycle: 30,000 cycles
 14. Coplanarity: 0.12mm Max.
 15. RO = RoHS



SC -S M XX GS4 - O A

Smart Card Connector Friction Type
 Seconn
 D: Dip
 M: SMT
 Pin Number
 GS3: Gold 10u"
 GS4: 15u"
 GS6: 30u"
 Tray
 C: Clock Type
 O: Normal Open

UNIT	mm			Secon International Enterprise Co., Ltd.			
TOLERANCES				TITLE			
				Smart Card Connector Friction Type			
DRAWN				PART NO.		SC-SMXXGS4-OA	
SCALE				SHEET		REV	
				DATE		1/1	
				SIZE		A4	

1 2 3 4 5 6 7 8