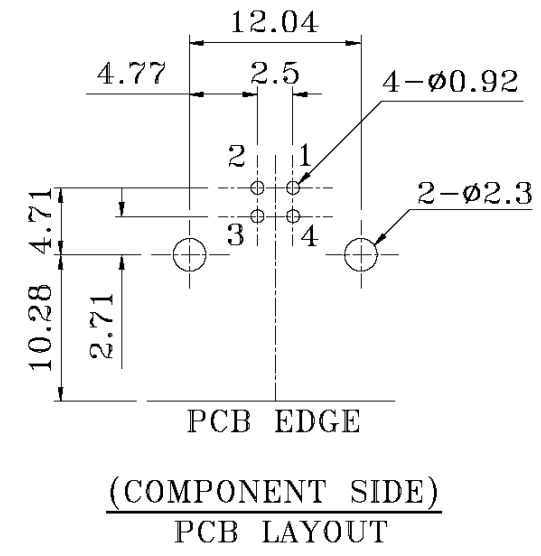


REV	ZONE	REVISION	DATE



NO.	NAME	MATERIAL	FINISH	REMARK	Q'TY
1	HOUSING	P.B.T. G.F.	BLACK		1
2	PIN TERM.	PHOS. BRONZE T:0.25	GOLD/TIN PLATED	NI:1~1.5u ; TIN:3u. GOLD:1~3 μ"	4
3	SHELL	BRASS T:0.3	NICKEL PLATED	NI:2~3u	1

UNIT	mm	Projection		Secom International Enterprise Co., Ltd.			
TOLERANCES				TITLE			
x. = ±0.3 .x = ± .xx = ±				USB B Flat 90° Dip Type Connector			
DRAWN Kevin				DATE 2005/1/6		PART NO. USB-SDAF01-BW	
SCALE	2/1	SIZE	A4	SHEET	1/1	REV	A0