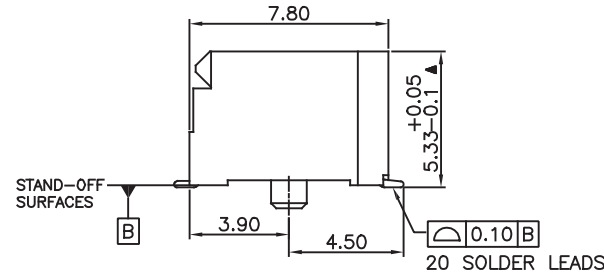
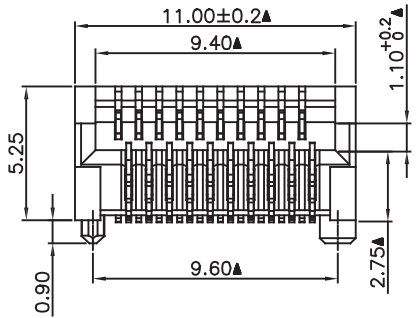
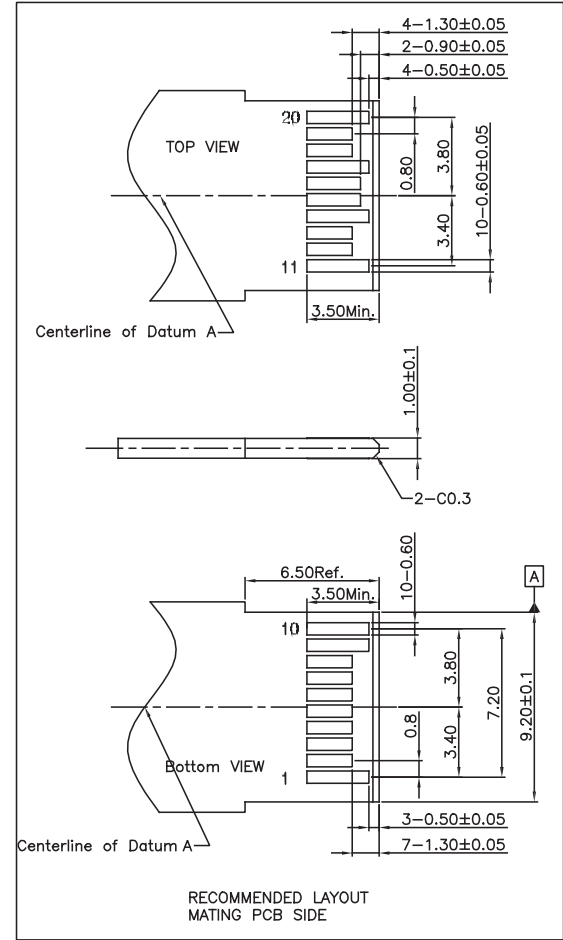
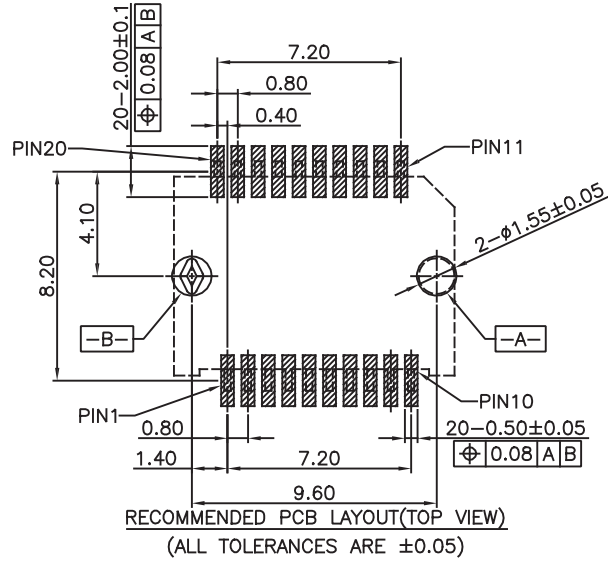
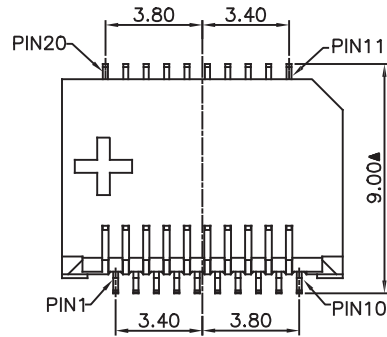
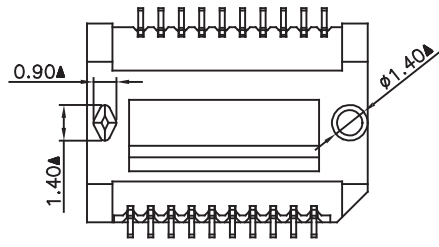


RoHS
THIS IS A RoHS COMPLIANT COMPONENT/PRODUCT.



- NOTES:
 1.Material:
 Housing:LCP UL94V-0,Black.
 Contact:C5210R-EH,T=0.20mm.
 Gold Plated Over Nicekel.
 2.Durability Test:100 Cycles Min.
 3.Specification:
 Dielectric Strength:AC 300V/Minute.
 Insulator Resistance:500 MΩ Min.
 Contact Resistance:40 mΩ Max.
 Operating Temperature:-40°C ~ +85°C.
 4.Part Number:
 SFP 1 - SB 1 20 3 - 01GP
 Gold Plated:3-15u"



Secon International Enterprise Co., Ltd.

TOLERANCES		PROJECTION	TITLE				
x.	= -----		1x1 SFP+ Connector 20 Pin				
x.x	= ± 0.30						
x.xx	= ± 0.20						
x.xxx	= ± 0.10	UNIT					
		mm					
DRAWN	Bella	DATE	2018/04/24	PART NO.	SFP1-SB1203-01GP		
SCALE	NONE	SIZE	A4	SHEET	1/1	REV	A